



VARISCITE LTD.

VAR-SOM-SOLO v1.X Datasheet

Freescale i.MX6™ - based System-on-Module



VARISCITE LTD.

VAR-SOM-SOLO Datasheet

© 2014 Variscite Ltd.

All Rights Reserved. No part of this document may be photocopied, reproduced, stored in a retrieval system, or transmitted, in any form or by any means whether, electronic, mechanical, or otherwise without the prior written permission of Variscite Ltd.

No warranty of accuracy is given concerning the contents of the information contained in this publication. To the extent permitted by law no liability (including liability to any person by reason of negligence) will be accepted by Variscite Ltd., its subsidiaries or employees for any direct or indirect loss or damage caused by omissions from or inaccuracies in this document.

Variscite Ltd. reserves the right to change details in this publication without notice. Product and company names herein may be the trademarks of their respective owners.

Variscite Ltd.
4 Hamelacha Street
Lod
P.O.B 1121
Airport City, 70100
ISRAEL

Tel: +972 (9) 9562910

Fax: +972 (9) 9589477

Document Revision History

Revision	Date	Notes
1.0	09/9/2014	Initial

Document Revision History	3
1. Overview	5
1.1. General Information	5
1.2. Feature Summary	6
1.3. Block Diagram	7
1.4. VAR-SOM-SOLO V1.X vs VAR-SOM-MX6 V2.X	8
2. Main Hardware Components	8
2.1. Freescale i.MX6	8
2.2. Memory	12
2.3. 10/100/1000 Ethernet PHY	12
2.4. TLV320AIC3106 Audio	12
2.5. Wi-Fi + BT.....	13
3. External Connectors.....	14
3.1. VAR-SOM-SOLO Connector Pin-out.....	15
3.2. SO-DIMM 200 Pin Mux	20
4. SOM's interfaces.....	23
4.1. Display Interfaces	23
4.2. Touch Panel	25
4.3. Camera Interfaces	25
4.4. Gigabit Ethernet	29
4.5. Wi-Fi & Bluetooth	29
4.6. USB Host 2.0	30
4.7. USB 2.0 OTG	30
4.8. MMC/SD/SDIO.....	30
4.9. Audio.....	31
4.10. UART Interfaces	32
4.11. Flexible Controller Area Network (FLEXCAN)	33
4.12. SPI.....	34
4.13. PCIe.....	35
4.14. I ² C.....	36
4.15. General Purpose IOs	36
4.16. General System Control.....	36
4.17. Power	37
5. Absolute Maximum Characteristics	39
6. Operational Characteristics	39
6.1. Power supplies	39
6.2. Power Consumption	39
7. DC Electrical Characteristics	39
8. Environmental Specifications	40
9. Mechanical Drawings.....	40
10. Legal Notice	41
11. Warranty Terms.....	42
12. Contact Information	43

1. Overview

1.1. General Information

The s a high performance System-on-Module. It provides an ideal building block that easily integrates with a wide range of target markets requiring rich multimedia functionality, powerful graphics and video capabilities, as well as high-processing power. Compact, cost effective and with low power consumption, VAR-SOM-SOLO secures an Intel Atom performance level.

Supporting products:

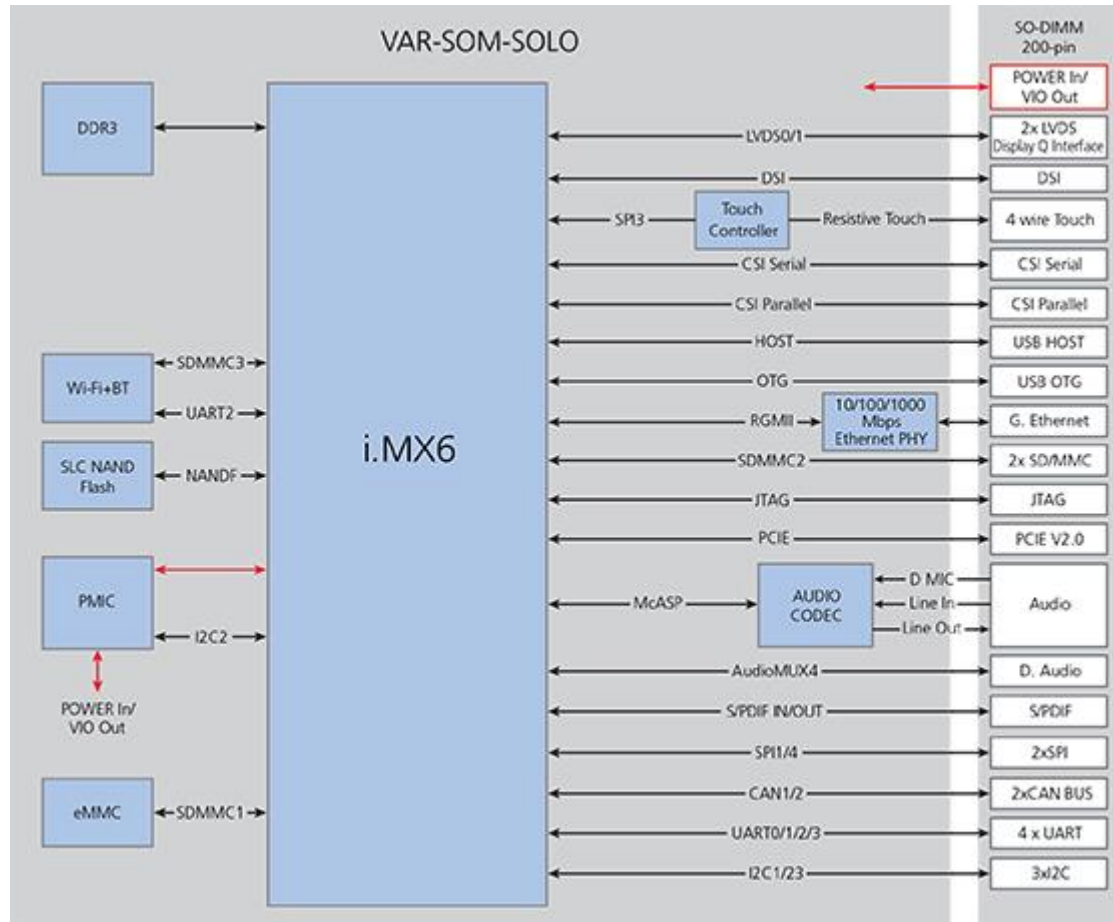
- VAR-MX6CustomBoard – evaluation board
 - ✓ Carrier -Board, compatible with VAR-SOM-SOLO
 - ✓ Schematics
- VAR-EXT-CB402 – CSI2 Camera module
- O.S support
 - ✓ Linux BSP
 - ✓ Windows Embedded Compact 7
 - ✓ Android

Contact Variscite support services for further information: <mailto:support@variscite.com>.

1.2. Feature Summary

- Freescale i.MX6 series SoC Single ARM® Cortex™-A9 Core 1.0 Ghz
- Up to 1GB DDR3 RAM
- Up to 512MB NAND Flash for storage memory / boot
- Up to 64GB eMMC storage
- 2 x LVDS display interface
- HDMI V1.4 interface
- 1 x MIPI DSI
- Touch panel interface
- Parallel & serial camera interface
- On-board 10/100/1000 Mbps Ethernet PHY
- TI WiLink8 2.4/5GHz WLAN (802.11 a/b/g/n) / BT-BLE with optional MIMO
- 1 x USB 2.0 host, 1 x OTG
- 1 x SD/MMC
- Serial interfaces (SPI , I2C, UART, I2S,)
- CAN Bus
- Stereo line-In / headphones out
- Digital microphone
- Single 3.3 V power supply
- 67mm x 33mm, 200 pin SO-DIMM Connector

1.3. Block Diagram



1.4. VAR-SOM-SOLO V1.X vs VAR-SOM-MX6 V2.X

- a) 40 Pin header removed
- b) No SATA (i.MX6 solo)
- c) Pin-out changes on the 200 pin SODIMM connector:

Pin #	VAR-SOM-MX6 V2.X	VAR-SOM-SOLO V1.X
30	VCC_RTC	N.C.
70	GPIO2_14 Ball B20	JTAG_TRSTB C2
91	SATA_RXN Ball A14	JTAG_TDI Ball G5
93	SATA_RXP Ball B14	JTAG_TDO Ball G6
97	SATA_TXP Ball A12	JTAG_TCK Ball H5
99	SATA_TXN Ball B12	JTAG_TMS Ball C3

2. Main Hardware Components

This section summarizes the main hardware building blocks of the VAR-SOM-SOLO

2.1. Freescale i.MX6

2.1.1. Overview

The i.MX6 Solo processor represent Freescale Semiconductor's latest achievement in integrated multimedia applications processors, optimized for lowest power consumption. The processor feature Freescale's advanced implementation of ARM™ Cortex-A9 core, which operates at speeds of up to 1 GHz. It includes 2D and 3D graphics processors, 3D 1080p video processing and integrated power management. DDR3-800bps memory interface and a number of other interfaces such as WLAN, Bluetooth™, GPS, hard drive, displays, and camera sensors.

2.1.2. CPU Platform

The i.MX6 Application Processor (AP) is based on the ARM Cortex-A9 MPCore™ Platform, which has the following features:

- ARM Cortex A9 (with TrustZone)
- Symmetric CPU configuration where each CPU includes:
 - 32 Kbyte L1 Instruction Cache
 - 32 Kbyte L1 Data Cache
 - Private Timer and Watchdog
 - Cortex-A9 NEON MPE (Media Processing Engine) Co-processor.
- The ARM Cortex A9 Core™ complex includes:
 - General Interrupt Controller (GIC) with 128 interrupt support
 - Global Timer
 - Snoop Control Unit (SCU)
 - Two Master AXI (64-bit) bus interfaces output of L2 cache
- NEON MPE coprocessor

- SIMD Media Processing Architecture
- NEON register file with 32x64-bit general-purpose registers
- NEON Integer execute pipeline (ALU, Shift, MAC)
- NEON dual, single-precision floating point execute pipeline (FADD, FMUL)
- NEON load/store and permute pipeline External
- Supports single and double-precision add, subtract, multiply, divide, multiply and accumulate, and square root operations as described in the ARM VFPv3 architecture.
- Provides conversions between 16-bit, 32-bit and 64-bit floating-point formats and ARM integer word formats.

2.1.3. Memory Interfaces

The memory system consists of the following components:

- Level 1 Cache—32 KB Instruction, 32 KB Data cache per core
- Level 2 Cache—Unified instruction and data (1 MByte)
- On-Chip Memory:
 - Boot ROM, including HAB (96 KB)
 - Internal multimedia / shared, fast access RAM (OCRAM, 256 KB)
 - Secure/non-secure RAM (16 KB)
- External memory interfaces:
 - 32-bit DDR3-800
 - 8-bit NAND-Flash, including support for Raw MLC/SLC, 2 KB, 4 KB, and 8 KB page size,

2.1.4. DMA engine

The SDMA is multi-channel flexible DMA engine. It helps in maximizing system performance by off-loading the various cores in dynamic data routing. It has the following features:

- Powered by a 16-bit Instruction-Set micro-RISC engine
- Multi-channel DMA supporting up to 32 time-division multiplexed DMA channels
- 48 events with total flexibility to trigger any combination of channels
- Memory accesses including linear, FIFO, and 2D addressing
- Shared peripherals between ARM and SDMA
- Very fast Context-Switching with 2-level priority based preemptive multi-tasking
- DMA units with auto-flush and prefetch capability
- Flexible address management for DMA transfers (increment, decrement, and no address changes on source and destination address)
- DMA ports can handle unit-directional and bi-directional flows (copy mode)
- Up to 8-word buffer for configurable burst transfers
- Support of byte-swapping and CRC calculations
- Library of Scripts and API is available

2.1.5. Display Subsystem

The i.MX6 Solo video graphics subsystem consists of the following dedicated modules:

- Video Processing Unit (VPU): a multi-standard high performance video/image CODEC
- Three Graphics Processing Units (GPUs):
 - 3D GPU: accelerating the generation of 3D graphics (OpenGL/ES) and vector graphics (OpenVG)
 - 2D GPU: acceleration the generation of 2D graphics (BitBLT).
 - OpenVG: acceleration of vector graphics (OpenVG).
- Display interface bridges: providing optional translation from the digital display interface supported by the IPU to other interfaces:
 - LVDS bridge (LDB): providing up to two LVDS interfaces
 - HDMI transmitter
 - MIPI/DSI transmitter
- MIPI/CSI-2 receiver
- Two (identical) Display Content Integrity Checker (DCIC) are used to authenticate sensitive displayed data.
- A Video Data Order Adapter (VDOA): used to re-order video data from the "tiled" order used by the VPU to the conventional raster-scan order needed by the IPU.

2.1.6. MIPI - Camera Serial Interface Host Controller

The MIPI CSI-2 Host Controller supports the following features:

- Compliant with MIPI Alliance Standard for Camera Serial Interface 2 (CSI-2), Version 1.00 - 29 November 2005
- Optional support for Camera Control Interface (CCI) through the use of DesignWare Core (DW_apb_i2c)
- Interface with MIPI D-PHY following PHY Protocol Interface (PPI), as defined in MIPI Alliance Specification for D-PHY, Version 1.00.00 - 14 May 2009
- Supports up to 4 D-PHY Rx Data Lanes
- Dynamically configurable multi-lane merging
- Long and Short packet decoding
- Timing accurate signaling of Frame and Line synchronization packets; Support for several frame formats such as:
 - General Frame or Digital Interlaced Video with or without accurate sync timing
 - Data type (Packet or Frame level) and Virtual Channel interleaving
- 32-bit Image Data Interface delivering data formatted as recommended in CSI-2 Specification
- Supports all primary and secondary data formats:
 - RGB, YUV and RAW color space definitions
 - From 24-bit down to 6-bit per pixel
 - Generic or user-defined byte-based data types
 - Error detection and correction
 - PHY level
 - Packet level
 - Line level
 - Frame level

2.1.1.7. 2D and 3D Graphics Processing Unit (GPU)

The GPU2D module has two independent sub-modules: R2D and V2D GPUs. Both GPU were designed to display on a variety of consumer devices. Addressable screen sizes range from small displays featured on cell phones to large 1080p high definition displays.

The GPU2D cores provide powerful graphics at low power consumption, utilizing the smallest silicon footprints. Dynamic power consumption is minimized by extensive use of localized clock gating.

Hardware acceleration is brought to numerous 2D and VG applications including graphical user interfaces (GUI), menu displays, flash animation and gaming.

The GPU3D is a high-performance core that delivers hardware acceleration for 3D graphics display. Addressable screen sizes range from the smallest cell phones to HD 1080p displays. It provides high performance, high quality graphics, low power consumption and the smallest silicon footprint.

GPU3D accelerates numerous 3D graphics applications, including Graphical User Interfaces (GUI), menu displays, flash animation, and gaming. This module supports the following graphics APIs:

- OpenGL ES 2.0
- OpenGL ES 1.1

2.1.1.8. Audio Back End

The AUDMUX provides flexible, programmable routing of the serial interfaces (SSI1 or SSI2) to and from off-chip devices. The AUDMUX routes audio data (and even splices together multiple time-multiplexed audio streams) but does not decode or process audio data itself. The AUDMUX is controlled by the ARM but can route data even when the ARM is in a low-power mode.

The ESAI (Enhanced Serial Audio Interface) provides a full-duplex serial port for serial communication with a variety of serial devices, including industry-standard codecs, SPDIF transceivers, and other processors. The ESAI consists of independent transmitter and receiver sections, each section with its own clock generator. The ESAI is connected to the IOMUX and to the ESAI_BIFIFO module.

The ESAI_BIFIFO (ESAI Bus Interface and FIFO) is the interface between the ESAI module and the shared peripheral bus. It contains the FIFOs used to buffer data to and from the ESAI, as well as providing the data word alignment and padding necessary to match the 24-bit data bus of the ESAI to the 32-bit data bus of the shared peripheral bus.

The SPDIF (Sony/Philips Digital Interface) audio module is a stereo transceiver that allows the processor to receive and transmit digital audio over it. The SPDIF receiver section includes a frequency measurement block that allows the precise measurement of incoming sampling frequency. A recovered clock is provided by the SPDIF receiver section and may be used to drive both internal and external components in the system. The SPDIF is connected to the shared peripheral bus.

The ASRC (Asynchronous Sample Rate Converter) converts the sampling rate of a signal associated to an input clock into a signal associated to a different output clock. The ASRC supports concurrent sample rate conversions of up to 10 channels of over 120dB THD+N. The sample rate conversion of each channel is associated to a pair of incoming and outgoing sampling rates. The ASRC supports up to three sampling rate pairs. The ASRC is connected to the shared peripheral bus.

2.1.9. 10/100/1000 Ethernet Controller

The MAC-NET core, in conjunction with a 10/100/1000 MAC, implements layer 3 network acceleration functions. These functions are designed to accelerate the processing of various common networking protocols, such as IP, TCP, UDP and ICMP, providing wire speed services to client applications. The MAC operation is fully programmable and can be used in NIC (Network Interface Card), bridging, or switching applications. The core implements the remote network monitoring (RMON) counters according to IETF RFC 2819. The core also implements a hardware acceleration block to optimize the performance of network controllers providing IP and TCP, UDP, ICMP protocol services. The acceleration block performs critical functions in hardware, which are typically implemented with large software overhead. The core implements programmable embedded FIFOs that can provide buffering on the receive path for loss-less flow control. Advanced power management features are available with magic packet detection and programmable power-down modes.

2.2. Memory

2.2.1. RAM

The VAR-SOM-SOLO is available with up to 1GB of DDR3 memory.

2.2.2. Non-volatile Storage Memory

- NAND flash: The VAR-SOM-SOLO is available with up to 0.5GB of SLC NAND FLASH memory. The NAND flash is used for Flash Disk purposes, O.S. run-time-image and the Boot-loader (Boot from NAND).
- eMMC : Up to 64GB of storage. Boot from eMMC is not possible, therefore minimal NAND-flash of 128MB is required.

2.3. 10/100/1000 Ethernet PHY

The VAR-SOM-SOLO features the Micrel KSZ9031 gigabit Ethernet PHY. The KSZ9031RN is a completely integrated triple speed (10Base-T/100Base-TX/1000Base-T) Ethernet Physical Layer Transceiver for transmission and reception of data over standard CAT-5 unshielded twisted pair (UTP) cable. The KSZ9031RN provides the Reduced Gigabit Media Independent Interface (RGMII) for direct connection to RGMII MACs in Gigabit Ethernet processors and switches for data transfer at 10/100/1000 Mbps speed.

2.4. TLV320AIC3106 Audio

The Texas Instrument's TLV320AIC3106 is a low-power, highly integrated stereo audio codec with stereo headphone amplifier, as well as multiple inputs and outputs programmable in single-ended or fully differential configurations. Extensive register-based power control is included, enabling stereo 48-kHz DAC playback as low as 15mW. The VAR-SOM-SOLO exposes the following interface of the TLV320AIC3106:

- Headphone
- Line-in
- Digital microphone

2.5. Wi-Fi + BT

The VAR-SOM-SOLO contains TI's WL183xMOD WiLink, a high performance 2.4/5 GHz IEEE 802.11 a/b/g/n Bluetooth 4.0/BLE radio module with optional Dual Band and MIMO support. The modules support improved performance over WiFi in bit rates reaching 100Mbps (UDP) and 80Mbps (TCP).

The module realizes the necessary PHY/MAC layers to support WLAN applications in conjunction with a host processor over a SDIO interface.

The module also provides a Bluetooth platform through the HCI transport layer. Both WLAN and Bluetooth share the same antenna port.

- IEEE 802.11 b,g,n or Dual Band 2.4/5GHz 802.11 a/b/g/n with optional MIMO
- Bluetooth 4.0/BLE
- U.FL connectors for external antennas
- Integrated band-pass filter
- Operating Temperature Range:
Dual Band 2.4/5GHz Modules: -40 to +85
2.4GHz Modules: -20 to +70

3. External Connectors

The VAR-SOM-SOLO exposes a 200-pin SO-DIMM mechanical standard interface. The recommended mating connector for baseboard interfacing are:

1. CONCRAFT - 0701A0BE52E
2. Tyco Electronics -1565917-4

Pin#:

Pin number on the SO-DIMM200 connector

Pin Name:

Default VAR-SOM-SOLO pin name

Type:

Pin type & direction:

- I – In
- O – Out
- DS – Differential Signal
- A – Analog
- Power – Power Pin

Pin Group:

Pin functionality group

i.MX6 Ball:

Ball number

Mode (Tables 3.2 & 3.4):

Pin mux mode option

3.1. VAR-SOM-SOLO Connector Pin-out

Pin #	Pin Name	Type	Pin Group	GPIO	i.MX6 Ball
1	GND	POWER	Digital GND		
2	GND	POWER	Digital GND		
3	MDI_A+	DS	Gigabit Ethernet		
4	MDI_C+	DS	Gigabit Ethernet		
5	MDI_A-	DS	Gigabit Ethernet		
6	MDI_C-	DS	Gigabit Ethernet		
7	GND	POWER	Digital GND		
8	GND	POWER	Digital GND		
9	MDI_B+	DS	Gigabit Ethernet		
10	MDI_D+	DS	Gigabit Ethernet		
11	MDI_B-	DS	Gigabit Ethernet		
12	MDI_D-	DS	Gigabit Ethernet		
13	GND	POWER	Digital GND		
14	GND	POWER	Digital GND		
15	GETH_LED2	O	Gigabit Ethernet LED		
16	GETH_LED1	O	Gigabit Ethernet LED		
17	PWM0	IO	Pulse width modulation	GPIO4[30]	T25
18	DMIC_CLK	O	Digital microphone interface		
19	GND	POWER	Digital GND		
20	DMIC_DATA	I	Digital microphone interface		
21	AUDMUX4_RXD	IO	Digital audio mux	GPIO5[17]	W24
22	AUDMUX4_RXC	IO	Digital audio mux	GPIO5[13]	U23
23	AUDMUX4_RXFS	IO	Digital audio mux	GPIO5[12]	V25
24	AUDMUX4_TXFS	IO	Digital audio mux	GPIO5[16]	V24
25	AUDMUX4_TXC	IO	Digital audio mux	GPIO5[14]	U22
26	AUDMUX4_TXD	IO	Digital audio mux	GPIO5[15]	T20
27	GND	POWER	Digital GND		
28	GND	POWER	Digital GND		
29	CLKO2	O	Reference clock out		
30	NC		Leave not connected		
31	GND	POWER	Digital GND		
32	VIN_3V3	POWER	3.3 V power supply IN		
33	GND	POWER	Digital GND		
34	VIN_3V3	POWER	3.3 V power supply IN		
35	GND	POWER	Digital GND		
36	VIN_3V3	POWER	3.3 V power supply IN		
37	GND	POWER	Digital GND		
38	VIN_3V3	POWER	3.3 V power supply IN		

VAR-SOM-SOLO SYSTEM ON MODULE

Pin #	Pin Name	Type	Pin Group	GPIO	i.MX6 Ball
39	CSPI1_CS0	IO	Configurable SPI	GPIO4[9]	U6
40	BOOT_SEL1	IO	EIM_DA05	GPIO3[5]	L23
41	CSPI1_MISO	IO	Configurable SPI	GPIO4[8]	U7
42	BOOT_SEL0	IO	EIM_DA7	GPIO3[7]	L25
43	CSPI1_CLK	IO	Configurable SPI	GPIO4[6]	W5
44	CAN1_TX	IO	Controller area network	GPIO1[7]	R3
45	CSPI1_MOSI	IO	Configurable SPI	GPIO4[7]	V6
46	CAN1_RX	IO	Controller area network	GPIO1[8]	R5
47	GND	POWER	Digital GND		
48	CSPI1_CS1	IO	Configurable SPI	GPIO4[10]	W6
49	3V3_PER	POWER	Power good indication		
50	UART2_CTS	IO	UART2 port ^[2]	GPIO3[28]	G23
51	UART2_RTS	IO	UART2 port ^[2]	GPIO3[29]	J19
52	UART2_TXD	IO	UART2 port ^[2]	GPIO3[26]	E24
53	UART2_RXD	IO	UART2 port ^[2]	GPIO3[27]	E25
54	UART3_RXD	IO	UART3 port	GPIO3[25]	G22
55	UART3_CTS	IO	UART3 port	GPIO3[23]	D25
56	UART3_TXD	IO	UART3 port	GPIO3[24]	F22
57	UART3_RTS	IO	UART3 port ^[3]	GPIO2[31]	F23
58	GND	POWER	Digital GND		
59	GND	POWER	Digital GND		
60	SD2_CLK	IO	SD/MMC and SDXC	GPOP1[10]	C21
61	SD2_DATA2	IO	SD/MMC and SDXC	GPIO1[13]	A23
62	SD2_DATA0	IO	SD/MMC and SDXC	GPIO1[15]	A22
63	SD2_DATA1	IO	SD/MMC and SDXC	GPIO1[14]	E20
64	SD2_CMD	O	SD/MMC and SDXC	GPIO1[11]	F19
65	SD2_DATA3	IO	SD/MMC and SDXC	GPIO1[12]	B22
66	GND	POWER	Digital GND		
67	GND	POWER	Digital GND		
68	PWM1_OUT	IO	General purpose	GPIO1[9]	T2
69	PWM3_OUT	IO	General purpose	GPIO2[9]	B19
70	JTAG_TRSTB				
71	GPIO1_2	IO	General purpose	GPIO1[2]	T1
72	PWM2_OUT	IO	General purpose	GPIO1[1]	T4
73	GPIO2_11	IO	General purpose	GPIO2[11]	A20
74	NC		Leave not connected		
75	SPDIFIN	IO	SPDIF	GPIO3[21]	H20
76	GND	POWER	Digital GND		
77	SPDIFOUT	IO	SPDIF	GPIO3[22]	E23

VAR-SOM-SOLO SYSTEM ON MODULE

Pin #	Pin Name	Type	Pin Group	GPIO	i.MX6 Ball
78	GND	POWER	Digital GND		
79	USB_H1_OC	IO	USB host	GPIO3[30]	J20
80	CAN2_TX_OTG_OC	IO	FlexCAN-2	GPIO4[14]	T6
81	CSI0_HSYNCH	IO	Camera interface	GPIO5[19]	P4
82	CAN2_RX	IO	FlexCAN-2	GPIO4[15]	V5
83	UART1_RX	IO	UART1 port	GPIO5[29]	M3
84	UART1_RTS	IO	UART1 port	GPIO3[20]	G20
85	UART1_TX	IO	UART1 port	GPIO5[28]	M1
86	UART1_CTS	IO	UART1 port	GPIO3[19]	G21
87	I2C1_SDA	IO	I2C interface	GPIO5[26]	N6
88	I2C1_SCL	IO	I2C interface	GPIO5[27]	N5
89	GND	POWER	Digital GND		
90	I2C3_SDA	IO	I2C interface	GPIO7[11]	R2
91	JTAG_TDI				
92	I2C3_SCL	IO	I2C interface	GPIO1[5]	R4
93	JTAG_TDO				
94	USB_OTG_ID	IO	USB on-the-go	GPIO1[4]	R6
95	GND	POWER	Digital GND		
96	CSI0_DAT19	IO	Camera interface	GPIO6[5]	L6
97	JTAG_TCK				
98	POR_B	I	Reset		C11
99	JTAG_TMS				
100	CLK1_N	DS	PCIE clock		C7
101	GND	POWER	Digital GND		
102	CLK1_P	DS	PCIE clock		D7
103	VIN_3V3	POWER	Main power supply		G15
104	USB_H1_VBUS	I	USB 2.0 5V indication		D10
105	VIN_3V3	POWER	Main power supply		G15
106	USB_OTG_VBUS	I	OTG 5V indication		E9
107	VIN_3V3	POWER	Main power supply		G15
108	USB_HOST_DN	DS	USB host		F10
109	VIN_3V3	POWER	Main power supply		G15
110	USB_HOST_DP	DS	USB host		E10
111	VIN_3V3	POWER	Main power supply		G15
112	GND	POWER	Digital GND		
113	CSI0_DAT18	IO	Camera interface	GPIO6[4]	M6
114	USB_OTG_DN	DS	USB on-the-go		B6
115	CSI0_DAT15	IO	Camera interface	GPIO6[1]	M5
116	USB_OTG_DP	DS	USB on-the-go		A6
117	CSI0_DAT17	IO	Camera interface	GPIO6[3]	L3

VAR-SOM-SOLO SYSTEM ON MODULE

Pin #	Pin Name	Type	Pin Group	GPIO	i.MX6 Ball
118	GND	POWER	Digital GND		
119	CSI_D0P	DS	Camera serial interface		E3
120	CSI0_VSYNC	IO	Camera interface	GPIO5[21]	N2
121	CSI_D0M	DS	Camera serial interface		E4
122	CSI0_DATA_EN	IO	Camera interface	GPIO5[20]	P3
123	CSI_D1M	DS	Camera serial interface		D1
124	CSI0_DAT12	IO	Camera interface	GPIO5[30]	M2
125	CSI_D1P	DS	Camera serial interface		D2
126	GND	POWER	Digital GND		
127	CSI_D2P	DS	Camera serial interface		E2
128	PCIE_TXM	DS	PCI express interface		A3
129	CSI_D2M	DS	Camera serial interface		E1
130	PCIE_TXP	DS	PCI express interface		B3
131	CSI_D3M	DS	Camera serial interface		F2
132	GND	POWER	Digital GND		
133	CSI_D3P	DS	Camera serial interface		F1
134	PCIE_RXP	DS	PCI express interface		B2
135	CSI_CLK0P	DS	Camera serial interface		F3
136	PCIE_RXM	DS	PCI express interface		B1
137	CSI_CLK0M	DS	Camera serial interface		F4
138	GND	POWER	Digital GND		
139	GND	POWER	Digital GND		
140	DSI_CLK0P	DS	Display serial interface		H4
141	DSI_D0M	DS	Display serial Interface		G2
142	DSI_CLK0M	DS	Display serial interface		H3
143	DSI_D0P	DS	Display serial interface		G1
144	GND	POWER	Digital GND		
145	DSI_D1M	DS	Display serial interface		H2
146	HDMI_D1P	DS	HDMI		J4
147	DSI_D1P	DS	Display serial interface		H1
148	HDMI_D1M	DS	HDMI		J3
149	GND	POWER	Digital GND		
150	HDMI_CLKM	DS	HDMI		J5
151	HDMI_D2P	DS	HDMI		K4
152	HDMI_CLKP	DS	HDMI		J6
153	HDMI_D2M	DS	HDMI		K3
154	HDMI_HPD	DS	HDMI		K1
155	HDMI_D0P	DS	HDMI		K6
156	HDMI_DDCCEC	IO	HDMI		K2
157	HDMI_D0M	DS	HDMI		K5

VAR-SOM-SOLO SYSTEM ON MODULE

Pin #	Pin Name	Type	Pin Group	GPIO	i.MX6 Ball
158	GND	POWER	Digital GND		
159	GND	POWER	Digital GND		
160	LVDS0_TX1_N	DS	LVDS display bridge		U4
161	LVDS0_TX0_N	DS	LVDS display bridge		U2
162	LVDS0_TX1_P	DS	LVDS display bridge		U3
163	LVDS0_TX0_P	DS	LVDS display bridge		U1
164	LVDS0_TX2_N	DS	LVDS display bridge		V2
165	LVDS0_TX3_N	DS	LVDS display bridge		W2
166	LVDS0_TX2_P	DS	LVDS display bridge		V1
167	LVDS0_TX3_P	DS	LVDS display bridge		W1
168	LVDS0_CLK_N	DS	LVDS display bridge		V4
169	GND	POWER	Digital GND		
170	LVDS0_CLK_P	DS	LVDS display bridge		V3
171	CSI0_DAT14	IO	Camera interface	GPIO6[0]	M4
172	GND	POWER	Digital GND		
173	CSI0_DAT16	IO	Camera interface	GPIO6[2]	L4
174	I2C2_SCL	IO	I2C interface ^[1]		U5
175	CSI0_DAT13	IO	Camera interface	GPIO5[31]	L1
176	I2C2_SDA	IO	I2C interface ^[1]		T7
177	CSI0_PIXCLK	I	Camera interface	GPIO5[18]	P1
178	GND	POWER	Digital GND		
179	GND	POWER	Digital GND		
180	LVDS1_CLK_N	DS	LVDS display bridge		Y3
181	LVDS1_TX3_P	DS	LVDS display bridge		AA4
182	LVDS1_CLK_P	DS	LVDS display bridge		Y4
183	LVDS1_TX3_N	DS	LVDS display bridge		AA3
184	LVDS1_TX0_N	DS	LVDS display bridge		Y1
185	GND	POWER	Digital GND		
186	LVDS1_TX0_P	DS	LVDS display bridge		Y2
187	TS_X-	AI	Touch screen interface		
188	LVDS1_TX1_N	DS	LVDS display bridge		AA1
189	TS_X+	AI	Touch screen interface		
190	LVDS1_TX1_P	DS	LVDS display bridge		AA2
191	TS_Y+	AI	Touch screen interface		
192	LVDS1_TX2_N	DS	LVDS display bridge		AB1
193	TS_Y-	AI	Touch screen interface		
194	LVDS1_TX2_P	DS	LVDS display bridge		AB2
195	AGND	POWER	Audio GND		
196	AGND	POWER	Audio GND		
197	LINEIN1_LP	AI			

Pin #	Pin Name	Type	Pin Group	GPIO	i.MX6 Ball
198	HPLOUT	AO			
199	LINEIN1_RP	AI			
200	HPROUT	AO			

Notes:

- [1] I2C2 Interface is used on-som. Pin mode can't be changed.
- [2] UART2 interface is used for on-board Bluetooth connectivity. Pin can't be used and mode can't be altered if the Bluetooth is enabled.
- [3] UART3 RTS pin is being latched at boot to determine boot sequence. Use with OE# buffer, and enable only after SOM is powered-up. Use reference schematics as example.

3.2. SO-DIMM 200 Pin Mux

The table below summarizes the additional available functionality for each pin-in SO-DIMM 200 connector.

PIN	MODE 0	MODE 1	MODE 2	MODE 3	MODE 4	MODE 5	MODE 6	MODE 7
16		ENET. TX_EN	ESAI. TX3_RX2			GPIO1 [28]	SATA_PHY. TDI	ANATOP. USBPHY2_TSTO_R X_SQUELCH
17	IPU1. DISPO_DAT[9]	IPU2. DISPO_DAT[9]	PWM2. PWMO	WDOG2. WDOG_B	SDMA. DEBUG_EVENT_C HANNEL[2]	GPIO4 [30]	MMDC_DEBUG[14]	PL301_MX63PER1 . HADDR[20]
21	IPU1. DISPO_DAT[23]	IPU2. DISPO_DAT[23]	ECSPI1. SSO	AUDMUX. AUD4_RXD	SDMA. DEBUG_BUS_DEV ICE[2]	GPIO5 [17]	MMDC_DEBUG[28]	PL301_MX63PER1 . HADDR[31]
22	IPU1. DISPO_DAT[19]	IPU2. DISPO_DAT[19]	ECSPI2. SCLK	AUDMUX. AUD5_RXD	AUDMUX. AUD4_RXC	GPIO5 [13]	MMDC_DEBUG[24]	WEIM_CS[3]
23	IPU1. DISPO_DAT[18]	IPU2. DISPO_DAT[18]	ECSPI2. SSO	AUDMUX. AUD5_TXFS	AUDMUX. AUD4_RXFS	GPIO5 [12]	MMDC_DEBUG[23]	WEIM_CS[2]
24	IPU1. DISPO_DAT[22]	IPU2. DISPO_DAT[22]	ECSPI1. MISO	AUDMUX. AUD4_TXFS	SDMA. DEBUG_BUS_DEV ICE[1]	GPIO5 [16]	MMDC_DEBUG[27]	PL301_MX63PER1 . HADDR[30]
25	IPU1. DISPO_DAT[20]	IPU2. DISPO_DAT[20]	ECSPI1. SCLK	AUDMUX. AUD4_TXC	SDMA. DEBUG_EVT_CHN _LINES[7]	GPIO5 [14]	MMDC_DEBUG[25]	PL301_MX63PER1 . HADDR[28]
26	IPU1. DISPO_DAT[21]	IPU2. DISPO_DAT[21]	ECSPI1. MOSI	AUDMUX. AUD4_TXD	SDMA. DEBUG_BUS_DEV ICE[0]	GPIO5 [15]	MMDC_DEBUG[26]	PL301_MX63PER1 . HADDR[29]
39	ECSPI1. SSO	ENET. COL	AUDMUX. AUD5_RXD	KPP. ROW[1]	UART5. RXD_MUX	GPIO4 [9]	USDHC2. VSELECT	PL301_MX63PER1 . HADDR[2]
40	WEIM_DA _A[5]	PU1_DISP1_ DATA04	IPU2_CSI1_D ATA04			GPIO3 [5]		
41	ECSPI1. MISO	ENET. MDIO	AUDMUX. AUD5_TXFS	KPP. COL[1]	UART5. TXD_MUX	GPIO4 [8]	USDHC1. VSELECT	PL301_MX63PER1 . HADDR[1]
43	ECSPI1. SCLK	ENET. RDATA[3]	AUDMUX. AUD5_TXC	KPP. COL[0]	UART4. TXD_MUX	GPIO4 [6]	DCIC1. DCIC_OUT	SRC. ANY_PU_RST
44	ESAI. TX4_RX1	ECSPI5. RDY	EPIT1. EPITO	CAN1. TXCAN	UART2. TXD_MUX	GPIO1 [7]	SPDIF. PLOCK	USBOH3. OTGUSB_HOST_M ODE
45	ECSPI1. MOSI	ENET. TDATA[3]	AUDMUX. AUD5_TXD	KPP. ROW[0]	UART4. RXD_MUX	GPIO4 [7]	DCIC2. DCIC_OUT	PL301_MX63PER1 . HADDR[0]
46	ESAI. TX5_RX0	ANATOP. ANATOP_32K _OUT	EPIT2. EPITO	CAN1. RXCAN	UART2. RXD_MUX	GPIO1 [8]	SPDIF. SRCLK	USBOH3. OTGUSB_PWRCTL _WAKEUP

VAR-SOM-SOLO SYSTEM ON MODULE

PIN	MODE 0	MODE 1	MODE 2	MODE 3	MODE 4	MODE 5	MODE 6	MODE 7
48	ECSPI1.SS1	ENET.RDATA[2]	CAN1.TXCAN	KPP.COL[2]	ENET.MDC	GPIO4[10]	USBOH3.H1USB_PWRCTL_WAKEUP	PL301_MX63PER1.HADDR[3]
50	WEIM_D[28]	I2C1.SDA	ECSPI4.MOSI	IPU2.CSI1_D[12]	UART2.CTS	GPIO3[28]	IPU1.EXT_TRIG	IPU1.DIO_PIN13
51	WEIM_D[29]	IPU1.DI1_PIN15	ECSPI4.SS0		UART2.RTS	GPIO3[29]	IPU2.CSI1_VSYNC	IPU1.DIO_PIN14
52	WEIM_D[26]	IPU1.DI1_PIN11	IPU1.CSI0_D[1]	IPU2.CSI1_D[14]	UART2.TXD_MUX	GPIO3[26]	IPU1.SISG[2]	
53	WEIM_D[27]	IPU1.DI1_PIN13	IPU1.CSI0_D[0]	IPU2.CSI1_D[13]	UART2.RXD_MUX	GPIO3[27]	IPU1.SISG[3]	
54	WEIM_D[25]	ECSPI4.SS3	UART3.RXD_MUX	ECSPI1.SS3	ECSPI2.SS3	GPIO3[25]	AUDMUX.AUD5_RXC	UART1.DSR
55	WEIM_D[23]	IPU1.DIO_D0_CS	UART3.CTS	UART1.DCD	IPU2.CSI1_DATA_EN	GPIO3[23]	IPU1.DI1_PIN2	IPU1.DI1_PIN14
56	WEIM_EB[24]	ECSPI4.SS2	UART3.TXD_MUX	ECSPI1.SS2	ECSPI2.SS2	GPIO3[24]	AUDMUX.AUD5_RXFS	UART1.DTR
57	WEIM_EB[33]	ECSPI4.RDY	UART3.RTS	UART1.RI	IPU2.CSI1_HSYNC	GPIO2[31]	IPU1.DI1_PIN3	SRC.BT_CFG[31]
61	USDHC2.DAT2	ECSPI5.SS1	WEIM_CS[3]	AUDMUX.AUD4_TXD	KPP.ROW[6]	GPIO1[13]	CCM.STOP	ANATOP_TESTO[1]
62	USDHC2.DAT0	ECSPI5.MISO		AUDMUX.AUD4_RXD	KPP.ROW[7]	GPIO1[15]	DCIC2.DCIC_OUT	ANATOP_TESTO[2]
63	USDHC2.DAT1	ECSPI5.SS0	WEIM_CS[2]	AUDMUX.AUD4_TXFS	KPP.COL[7]	GPIO1[14]	CCM.WAIT	ANATOP_TESTO[0]
64	USDHC2.CMD	ECSPI5.MOSI	KPP.ROW[5]	AUDMUX.AUD4_RXC	PCIE_CTRL.DIAG_STATUS_B_US_MUX[10]	GPIO1[11]		
65	USDHC2.DAT3	ECSPI5.SS3	KPP.COL[6]	AUDMUX.AUD4_TXC	PCIE_CTRL.DIAG_STATUS_B_US_MUX[11]	GPIO1[12]	SJC.DONE	ANATOP_TESTO[3]
68	ESAI_RX_FS	WDOG1_B			PWM1_OUT	GPIO1[9]		
69			PWM3_OUT			GPIO2[9]		
70			UART2_CTS_B			GPIO2[14]		
71						GPIO1[2]		
72		WDOG2_B		USB_OTG_ID	PWM2_OUT	GPIO1[1]		
73						GPIO2[11]		
75	WEIM_D[21]	ECSPI4.SCLK	IPU1.DIO_PIN17	IPU2.CSI1_D[11]	USBOH3.USBOTG_OC	GPIO3[21]	I2C1.SCL	SPDIF.IN1
77	WEIM_D[22]	ECSPI4.MISO	IPU1.DIO_PIN1	IPU2.CSI1_D[10]	USBOH3.USBOTG_PWR	GPIO3[22]	SPDIF.OUT1	PL301_MX63PER1.HWRITE
79	WEIM_D[30]	IPU1.DISP1_DAT[21]	IPU1.DIO_PIN11	IPU1.CSI0_D[3]	UART3.CTS	GPIO3[30]	USBOH3.USBH1_OC	PL301_MX63PER1.HPROT[0]
80	CAN2.TXCAN	IPU1.SISG[4]	USBOH3.USBOTG_OC	KPP.COL[4]	UART5.RTS	GPIO4[14]	MMDC_DEBUG[49]	PL301_MX63PER1.HADDR[7]
81	IPU1.CSI0_HSYNC		PCIE_CTRL.DIAG_STATUS_B_US_MUX[13]	CCM.CLKO	SDMA.DEBUG_PC[1]	GPIO5[19]	MMDC_DEBUG[30]	CHEETAH.TRCTL
82	CAN2.RXCAN	IPU1.SISG[5]	USBOH3.USBOTG_PWR	KPP.ROW[4]	UART5.CTS	GPIO4[15]	MMDC_DEBUG[50]	PL301_MX63PER1.HADDR[8]
83	IPU1.CSI0_D[11]	AUDMUX.AUD3_RXFS	ECSPI2.SS0	UART1.RXD_MUX	SDMA.DEBUG_PC[5]	GPIO5[29]	MMDC_DEBUG[34]	CHEETAH.TRACE[8]
84	WEIM_D[20]	ECSPI4.SS0	IPU1.DIO_PIN16	IPU2.CSI1_D[15]	UART1.RTS	GPIO3[20]	EPIT2.EPITO	
85	IPU1.CSI0_D[10]	AUDMUX.AUD3_RXC	ECSPI2.MISO	UART1.TXD_MUX	SDMA.DEBUG_PC[4]	GPIO5[28]	MMDC_DEBUG[33]	CHEETAH.TRACE[7]
86	WEIM_D[19]	ECSPI1.SS1	IPU1.DIO_PIN8	IPU2.CSI1_D[16]	UART1.CTS	GPIO3[19]	EPIT1.EPITO	PL301_MX63PER1.HRESP
87	IPU1.CSI0_D[8]	WEIM_D[6]	ECSPI2.SCLK	KPP.COL[7]	I2C1.SDA	GPIO5[26]	MMDC_DEBUG[47]	CHEETAH.TRACE[5]
88	IPU1.CSI0_D[9]	WEIM_D[7]	ECSPI2.MOSI	KPP.ROW[7]	I2C1.SCL	GPIO5[27]	MMDC_DEBUG[48]	CHEETAH.TRACE[6]

VAR-SOM-SOLO SYSTEM ON MODULE

PIN	MODE 0	MODE 1	MODE 2	MODE 3	MODE 4	MODE 5	MODE 6	MODE 7
90	ESAI. TX3_RX2	ENET. 1588_EVENT 2_IN	ENET. ANATOP_ET HERNET_REF _OUT	USDHC1. LCTL	SPDIF. IN1	GPIO7 [11]	I2C3. SDA	SJC. DE_B
92	ESAI. TX2_RX3	OBSERVE_M UX. OBSRV_INT_ OUT4	KPP. ROW[7]	CCM. CLKO	CSU. CSU_ALARM_AUT [2]	GPIO1 [5]	I2C3. SCL	CHEETAH. EVENTI
94	ANATOP. USBOTG_I D	ENET. RX_ER	ESAI. HCKR	SPDIF. IN1	ENET. 1588_EVENT2_O UT	GPIO1 [24]	PHY. TDI	ANATOP. USBPHY1_TSTO_R X_HS_RXD
96	IPU1. CSIO_D[19]	WEIM_D[15]	PCIE_CTRL. DIAG_STATU S_BUS_MUX [23]	UART5. CTS	SDMA. DEBUG_PC[13]	GPIO6 [5]	MMDC_DEBUG[42]	ANATOP_TESTO[9]
113	IPU1. CSIO_D[18]	WEIM_D[14]	PCIE_CTRL. DIAG_STATU S_BUS_MUX [22]	UART5. RTS	SDMA. DEBUG_PC[12]	GPIO6 [4]	MMDC_DEBUG[41]	CHEETAH. TRACE[15]
115	IPU1. CSIO_D[15]	WEIM_D[11]	PCIE_CTRL. DIAG_STATU S_BUS_MUX [19]	UART5. RXD_MUX	SDMA. DEBUG_PC[9]	GPIO6 [1]	MMDC_DEBUG[38]	CHEETAH. TRACE[12]
117	IPU1. CSIO_D[17]	WEIM_D[13]	PCIE_CTRL. DIAG_STATU S_BUS_MUX [21]	UART4. CTS	SDMA. DEBUG_PC[11]	GPIO6 [3]	MMDC_DEBUG[40]	CHEETAH. TRACE[14]
120	IPU1. CSIO_VSYN C	WEIM_D[1]	PCIE_CTRL. DIAG_STATU S_BUS_MUX [15]		SDMA. DEBUG_PC[3]	GPIO5 [21]	MMDC_DEBUG[32]	CHEETAH. TRACE[0]
122	IPU1. CSIO_DATA _EN	WEIM_D[0]	PCIE_CTRL. DIAG_STATU S_BUS_MUX [14]		SDMA. DEBUG_PC[2]	GPIO5 [20]	MMDC_DEBUG[31]	CHEETAH. TRCLK
124	IPU1. CSIO_D[12]	WEIM_D[8]	PCIE_CTRL. DIAG_STATU S_BUS_MUX [16]	UART4. TXD_MUX	SDMA. DEBUG_PC[6]	GPIO5 [30]	MMDC_DEBUG[35]	CHEETAH. TRACE[9]
171	IPU1. CSIO_D[14]	WEIM_D[10]	PCIE_CTRL. DIAG_STATU S_BUS_MUX [18]	UART5. TXD_MUX	SDMA. DEBUG_PC[8]	GPIO6 [0]	MMDC_DEBUG[37]	CHEETAH. TRACE[11]
173	IPU1. CSIO_D[16]	WEIM_D[12]	PCIE_CTRL. DIAG_STATU S_BUS_MUX [20]	UART4. RTS	SDMA. DEBUG_PC[10]	GPIO6 [2]	MMDC_DEBUG[39]	CHEETAH. TRACE[13]
174	ECSPI1_SS 3	ENET_CRS	HDMI_TX_D DC_SCL	KEY_COL3	I2C2_SCL	GPIO4 [12]	SPDIF_IN	CHEETAH. TRACE[10]
175	IPU1. CSIO_D[13]	WEIM_D[9]	PCIE_CTRL. DIAG_STATU S_BUS_MUX [17]	UART4. RXD_MUX	SDMA. DEBUG_PC[7]	GPIO5 [31]	MMDC_DEBUG[36]	CHEETAH. TRACE[10]
176	32kout	ASRC_EXT_C LK	HDMI_TX_D DC_SDA	KEY_ROW3	I2C2_SDA	GPIO4 [13]	SD1_VSELECT	
177	IPU1. CSIO_PIXCL OCK		PCIE_CTRL. DIAG_STATU S_BUS_MUX [12]			GPIO5 [18]		

4. SOM's interfaces

4.1. Display Interfaces

4.1.2 Overview

The VAR-SOM-SOLO consists of the following display interfaces:

- Two LVDS channels, driven by the LDB; pixel clock up to 170 MHz
- One HDMI port (ver. 1.4) - driven by the HDMI transmitter: Pixel clock up to 266 MHz (gated by the IPU capabilities)
- One MIPI/DSI port - driven by the MIPI/DSI transmitter; two data lanes @ 1 GHz
- Each IPU has two display ports. Up to four external ports can be active at any given time (additional asynchronous data flows can be sent though the parallel ports and the MIPI/DSI port).

4.1.3 DSI

VAR-SOM-SOLO MIPI DSI Host Controller supports up to 2 D-PHY data lanes:

- Bidirectional communication and escape mode support through the data lane
- Programmable display resolutions, from 160 x 120(QQVGA) to 1024 x 768(XVGA)
- Multiple peripheral support capability, configurable virtual channels
- Video mode pixel formats, 16 bpp (5,6,5 RGB), 18 bpp (6,6,6,RGB) packed, 18 bpp (6,6,6,RGB) loosely, 24 bpp (8,8,8,RGB)

DSI signals:

Signal	Pin #	Type	Description
DSI_CLK0M	142	ODS	Negative DSI clock differential
DSI_CLK0P	140	ODS	Positive DSI clock differential
DSI_D0M	141	ODS	Negative DSI data 0 differential
DSI_D0P	143	ODS	Positive DSI data 0 differential
DSI_D1M	145	ODS	Negative DSI data 1 differential
DSI_D1P	147	ODS	Positive DSI data 1 differential

4.1.4 HDMI

The HDMI module provides an HDMI standard interface port to an HDMI 1.4 compliant display

HDMI Signals:

Signal	Pin #	Type	Description
HDMI_CLKM	150	ODS	Negative HDMI clock differential
HDMI_CLKP	152	ODS	Positive HDMI clock differential
HDMI_D0M	157	ODS	Negative HDMI data 0 differential
HDMI_D0P	155	ODS	Positive HDMI data 0 differential
HDMI_D1M	148	ODS	Negative HDMI data 1 differential
HDMI_D1P	146	ODS	Positive HDMI data 1 differential
HDMI_D2M	153	ODS	Negative HDMI data 2 differential
HDMI_D2P	151	ODS	Positive HDMI data 2 differential
HDMI_DDCCEC	156	IO	One wire bidirectional CEC
HDMI_HPD	154	I	Hot plug detect

4.1.5 LVDS Interface

LVDS Display Bridge (LDB) will be used to connect the IPU (Image Processing Unit) to the External LVDS display interface.

There are 2 LVDS channels. These outputs are used to communicate RGB data and controls to external LCD displays.

The LVDS ports may be used as follows:

- Single channel output
- Dual channel output (one input source, two channel outputs for two displays)
- Split channel output (one input source, split to two channels on output)
- Separate two channel output (two input sources from IPU)

LVDS0 Signals:

Signal	Pin #	Type	Description
LVDS0_TX0_N	161	ODS	Negative data 0 differential
LVDS0_TX0_P	163	ODS	Positive data 0 differential
LVDS0_TX1_N	160	ODS	Negative data 1 differential
LVDS0_TX1_P	162	ODS	Positive data 1 differential
LVDS0_TX2_N	164	ODS	Negative data 2 differential
LVDS0_TX2_P	166	ODS	Positive data 2 differential
LVDS0_TX3_N	165	ODS	Negative data 3 differential
LVDS0_TX3_P	167	ODS	Positive data 3 differential
LVDS0_CLK_N	168	ODS	Negative clock differential
LVDS0_CLK_P	170	ODS	Positive clock differential

Table 4-1 LVDS Signals

LVDS1 Signals:

Signal	Pin #	Type	Description
LVDS1_TX0_N	184	ODS	Negative data 0 differential
LVDS1_TX0_P	186	ODS	Positive data 0 differential
LVDS1_TX1_N	188	ODS	Negative data 1 differential
LVDS1_TX1_P	190	ODS	Positive data 1 differential
LVDS1_TX2_N	192	ODS	Negative data 2 differential
LVDS1_TX2_P	194	ODS	Positive data 2 differential
LVDS1_TX3_N	183	ODS	Negative data 3 differential
LVDS1_TX3_P	181	ODS	Positive data 3 differential
LVDS1_CLK_N	180	ODS	Negative clock differential
LVDS1_CLK_P	182	ODS	Positive clock differential

4.2. Touch Panel

The VAR-SOM-SOLO features a 4-wire resistive touch panel interface:

- Compatible with 4-wire resistive touch screens
- Pen-detection and nIRQ generation
- Supports several schemes of measurement, averaging to filter noise

Touch-screen Controller Signals:

Signal	Pin #	Type	Description
TS_X-	187	AI	Touch screen X minus
TS_Y-	193	AI	Touch screen Y minus
TS_X+	189	AI	Touch screen X plus
TS_Y+	191	AI	Touch screen Y plus

4.3. Camera Interfaces

4.3.1. MIPI CSI-2

The CSI-2 Host Controller is a digital core that implements all protocol functions defined in the MIPI CSI-2 specification, providing an interface between the system and the MIPI D-PHY, allowing communication with an MIPI CSI-2 compliant camera sensor.

The MIPI CSI-2 host controller supports the following features:

- Compliance with MIPI Alliance standard for camera serial interface 2 (CSI-2), version 1.00 29th November, 2005
- Optional support for Camera Control Interface (CCI) through the use of DesignWare Core (DW_apb_i2c)
- Interface with MIPI D-PHY following PHY Protocol Interface (PPI), as defined in MIPI Alliance Specification for D-PHY, version 1.00.00 14th May, 2009
- Supports up to 4 D-PHY Rx data lanes
- Dynamically configurable multi-lane merging

- Long and short packet decoding
- Timing accurate signaling of frame and line synchronization packets
- Support for several frame formats such as:
 - General frame or digital interlaced video with or without accurate sync timing
 - Data type (packet or frame level) and virtual channel interleaving
- 32-bit image data interface delivering data formatted as recommended in CSI-2 specification
- Supports all primary and secondary data formats:
 - RGB, YUV and RAW color space definitions
 - From 24-bit down to 6-bit per pixel
 - Generic or user-defined byte-based data types
 - Error detection and correction:
 - PHY level
 - Packet level
 - Line level
 - Frame level

MIPI CSI-2 signals:

Signal	Pin #	Type	Description
CSI_CLK0M	137	IDS	Negative CSI-2 clock differential
CSI_CLK0P	135	IDS	Positive CSI-2 clock differential
CSI_D0M	121	IDS	Negative CSI-2 data 0 differential
CSI_D0P	119	IDS	Positive CSI-2 data 0 differential
CSI_D1M	123	IDS	Negative CSI-2 data 1 differential
CSI_D1P	125	IDS	Positive CSI-2 data 1 differential
CSI_D2M	129	IDS	Negative CSI-2 data 2 differential
CSI_D2P	127	IDS	Positive CSI-2 data 2 differential
CSI_D3M	131	IDS	Negative CSI-2 data 3 differential
CSI_D3P	133	IDS	Positive CSI-2 data 3 differential

4.3.2. Parallel CSIx

Based on i.MX6 IPU, the VAR-SOM-SOLO supports two camera ports - each controlled by a CSI sub-block, providing a connection to image sensors and related devices.

CSI0 can implement 12bit CSI interface.

CSI0 Signals on 200 pin SO-DIMM connector:

Signal	Pin #	Type	Description
CSI0_DAT8	87	IO	Camera data line
CSI0_DAT9	88	IO	Camera data line
CSI0_DAT10	85	IO	Camera data line
CSI0_DAT11	83	IO	Camera data line
CSI0_DAT12	124	IO	Camera data line
CSI0_DAT13	175	IO	Camera data line
CSI0_DAT14	171	IO	Camera data line
CSI0_DAT15	115	IO	Camera data line
CSI0_DAT16	173	IO	Camera data line
CSI0_DAT17	117	IO	Camera data line
CSI0_DAT18	113	IO	Camera data line
CSI0_DAT19	96	IO	Camera data line
CSI0_DATA_EN	122	IO	Camera data enable
CSI0_HSYNCH	81	IO	Camera horizontal sync
CSI0_PIXCLK	177	IO	Camera pixel clock
CSI0_VSYNC	120	IO	Camera vertical sync

CSI1 Signals:

CSI1 can implement 20bit CSI interface.

CSI1 Signals that are exposed by the 40-pin FFC connector

VAR-SOM-SOLO SYSTEM ON MODULE

Signal	Pin #	Type	Description
IPU2.CSI1_D[0]	33	IO	Camera data 0 line
IPU2.CSI1_D[1]	23	IO	Camera data 1 line
IPU2.CSI1_D[2]	22	IO	Camera data 2 line
IPU2.CSI1_D[3]	18	IO	Camera data 3 line
IPU2.CSI1_D[4]	21	IO	Camera data 4 line
IPU2.CSI1_D[5]	34	IO	Camera data 5 line
IPU2.CSI1_D[6]	17	IO	Camera data 6 line
IPU2.CSI1_D[7]	32	IO	Camera data 7 line
IPU2.CSI1_D[8]	19	IO	Camera data 8 line
IPU2.CSI1_D[9]	30	IO	Camera data 9 line
IPU2.CSI1_D[10]	16	IO	Camera data 10 line
IPU2.CSI1_D[11]	26	IO	Camera data 11 line
IPU2.CSI1_D[12]	6	IO	Camera data 12 line
IPU2.CSI1_D[13]	10	IO	Camera data 13 line
IPU2.CSI1_D[14]	24	IO	Camera data 14 line
IPU2.CSI1_D[15]	20	IO	Camera data 15 line
IPU2.CSI1_D[17]	14	IO	Camera data 17 line
IPU2.CSI1_D[18]	39	IO	Camera data 18 line
IPU2.CSI1_D[19]	11	IO	Camera data 19 line
IPU2.CSI1_DATA_EN	35	IO	Camera data enable
IPU2.CSI1_HSYNC	38	IO	Camera horizontal sync
IPU2.CSI1_PIXCLK	2	IO	Camera pixel clock
IPU2.CSI1_VSYNC	27	IO	Camera vertical sync

CSI1 Signals that are exposed by the 200-pin connector

IPU2.CSI1_D[16]	86	IO	Camera data 16 line
-----------------	----	----	---------------------

4.4. Gigabit Ethernet

Gigabit Ethernet Features:

The Ethernet Media Access Controller (MAC) is designed to support 10/100/1000 Mbps Ethernet/IEEE 802.3 networks. An external Gigabit magnetics is required to complete the interface to the media. The i.MX6 processor also consists of HW assist for IEEE1588 standard. See the IEEE1588 section for more details.

Gigabit Ethernet Magnetics:

In order to utilize the VAR-SOM-SOLO Gigabit Ethernet interface, compatible magnetics should be used on the carrier board.

Vendor	Part Number	Package	Cores	Configuration
Pulse	H5007NL	Transformer	8	Auto-MDX
TDK	TLA-7T101LF	Transformer	8	Auto-MDX
Pulse	J0G-0009NL	Integrated RJ45	8	Auto-MDX

Gigabit Ethernet Signals:

Signal	Pin #	Type	Description
MDI_A+	3	DS	Positive A differential lane
MDI_A-	5	DS	Negative A differential lane
MDI_B+	9	DS	Positive B differential lane
MDI_B-	11	DS	Negative B differential lane
MDI_C+	4	DS	Positive C differential lane
MDI_C-	6	DS	Negative C differential lane
MDI_D+	10	DS	Positive D differential lane
MDI_D-	12	DS	Negative D differential lane

4.5. Wi-Fi & Bluetooth

The VAR-SOM-SOLO contains TI's WL183xMOD WiLink, a high performance 2.4/5 GHz IEEE 802.11 a/b/g/n Bluetooth 4.0/BLE radio module with optional Dual Band and MIMO support. The modules support improved performance over WiFi in bit rates reaching 100Mbps (UDP) and 80Mbps (TCP).

The module realizes the necessary PHY/MAC layers to support WLAN applications in conjunction with a host processor over a SDIO interface.

The module also provides a Bluetooth platform through the HCI transport layer. Both WLAN and Bluetooth share the same antenna port.

- IEEE 802.11 b,g,n or Dual Band 2.4/5GHz 802.11 a/b/g/n with optional MIMO
- Bluetooth 4.0/BLE
- U.FL connectors for external antennas
- Integrated band-pass filter
- Operating Temperature Range:
Dual Band 2.4/5GHz Modules: -40 to +85
2.4GHz Modules: -20 to +70

WL1831 – Populate ANT1 only

4.6. USB Host 2.0

The USB controller block provides high performance USB functionality that conforms to the USB 2.0 specification.

USB Host1 Signals:

Signal	Pin #	Type	Description
USB_HOST_DP	110	IODES	Positive USB host data
USB_HOST_DN	108	IODES	Negative USB host data
USB_H1_VBUS	104	I	USB 2.0 VBUS indicator (5V)
USB_H1_OC	79	I	USB host over current indicator , Active low 3.3v digital

4.7. USB 2.0 OTG

USB 2.0 On-the-go Features:

High-speed OTG core

- HS/FS/LS UTMI compliant interface
- High speed, full speed and low speed operation in host mode (with UTMI transceiver)
- High speed, and full speed operation in peripheral mode (with UTMI transceiver)
- Hardware support for OTG signaling, session request protocol, and host negotiation protocol
- Up to 8 bidirectional endpoints
- Integrated HS USB PHY

OTG Signals:

Signal	Pin #	Type	Description
USB_OTG_DN	114	IODES	Negative USB OTG data
USB_OTG_DP	116	IODES	Positive USB OTG data
USB_OTG_VBUS	106	I	USB 2.0 OTG VBUS indicator (5V)
USB_OTG_ID	94	I	USB OTG host/client ID Low : Host mode Float: Client mode

4.8. MMC/SD/SDIO

MX6 MMC interface features:

- Fully compliant with MMC command/response sets and physical layer as defined in the Multimedia Card System specification v4.2/4.3/4.4, including high-capacity (size > 2 GB) cards HC MMC.
- Fully compliant with SD command/response sets and physical layer as defined in the SD Memory Card specifications v3.0, including high-capacity SDHC cards up to 32 GB

- Fully compliant with SDIO command/response sets and interrupt/read-wait mode as defined in the SDIO Card specification, Part E1 v1.10
- Fully compliant with SD Card specification, Part A2, SD Host Controller Standard specification v2.00
- 1-bit or 4-bit transfer mode specifications for SD and SDIO cards up to UHS-I SDR104 mode (104 MB/s max)
- 1-bit, 4-bit, or 8-bit transfer mode specifications for MMC cards up to 52 MHz in both SDR and DDR modes (104 MB/s max). However, the SoC level integration and I/O muxing logic restrict functionality to the following:

SDMMC2 Signals:

Signal	Pin #	Type	Description
SD2_CLK	60	O	Clock for MMC/SD/SDIO card
SD2_CMD	64	IO	CMD line connect to card
SD2_DATA0	62	IO	DAT0 line in all modes (also used to detect busy state)
SD2_DATA1	63	IO	DAT1 line-in
SD2_DATA2	61	IO	DAT2 line
SD2_DATA3	65	IO	DAT3 line-in

4.9. Audio

The VAR-SOM-SOLO features three audio interfaces:

- TLV320AIC3106 Audio codec interfaces
 1. Analog outputs / inputs:
 - stereo line-in
 - Stereo HP out
 2. Digital microphone input
- SSI Digital audio interface
- S/PDIF in/out

Analog audio signals are featured by the on-SOM TLV320AIC3106 audio codec. Refer to the data sheet for detailed electrical characteristics of the relevant interfaces

<http://www.ti.com/product/tlv320aic3106>.

AUDMUX4 Signals:

Signal	Pin #	Type	Description
HP_LOUT	198	AO	Headphones out - left
HP_ROUT	200	AO	Headphones out - right
LINEIN1_LP	197	AI	Line-in - Right
LINEIN1_RP	199	AI	Line-in - Left

Digital AUDMUX:

Key features of the block include:

- Full 6-wire SSI interfaces for asynchronous receive and transmit
- Configurable 4-wire (synchronous) or 6-wire (asynchronous) peripheral interfaces
- Independent Tx/Rx frame sync and clock direction selection for host or peripheral
- Each host interface's capability to connect to any other host or peripheral interface in a point-to-point or point-to-multipoint (network mode)
- Transmit and receive data switching to support external network mode

AUDMUX4 Signals:

Signal	Pin #	Type	Description
AUDMUX4_TXD	26	IO	Transmit data from pin
AUDMUX4_RXD	21	IO	Receive data at pin
AUDMUX4_TXC	25	IO	Transmit clock input/output at pin
AUDMUX4_RXC	22	IO	Receive clock input/output at pin
AUDMUX4_TXFS	24	IO	Transmit frame sync input/output at pin
AUDMUX4_RXFS	23	IO	Receive frame sync input/output at pin

S/PDIF (Sony Phillips Digital Interface) In/Out:

S/PDIF is a standard audio file transfer format, developed jointly by the Sony and Phillips corporations.

SPIDF Signals:

Signal	Pin #	Type	Description
SPDIFIN	75		In
SPDIFOUT	77		Out
Spdif.plock	44(MUXED)		
Spdif.srclk	46(MUXED)		Clock

4.10. UART Interfaces

By default four UART interfaces are supported, refer to Table 3.2 for further configurations the UART interface.

UART Features:

Each of the UART modules support the following serial data transmit/receive protocols and configurations:

- 7or 8-bit data words, one or two stop bits, programmable parity (even, odd or none)
- Programmable baud rates up to 4 MHz This is a higher max baud rate relative to the 1.875 MHz, which is stated by the TIA/EIA-232-F standard and the i.MX31 UART modules.
- 32-byte FIFO on Tx and 32 half-word FIFO on Rx supporting auto-baud
- IrDA 1.0 support (up to SIR speed of 115200 bps)

UART1 Signals:

Signal	Pin #	Type	Description
UART1_CTS	86	O	UART HW flow control RTS
UART1_RTS	84	I	UART HW flow control CTS
UART1_TX	85	O	UART transmit
UART1_RX	83	I	UART receive

Note: UART1 is used as default boot debug port.

UART2 Signals:

Signal	Pin #	Type	Description
UART2_TXD	52	O	UART transmit
UART2_RXD	53	I	UART receive
UART2_RTS	51	I	UART HW flow control RTS
UART2_CTS	50	O	UART HW flow control CTS

Note: UART2 Signals are shared with the on-som Bluetooth.

UART3 Signals:

Signal	Pin #	Type	Description
UART3_TXD	56	O	UART transmit
UART3_RXD	54	I	UART receive
UART3_RTS ^[1]	57	I	UART HW flow control RTS
UART3_CTS	55	O	UART HW flow control CTS

[1] UART3 RTS pin is being latched at boot to determine boot sequence. Use with OE# buffer, and enable only after SOM is powered-up. Use reference schematics as example.

UART5 Signals:

Signal	Pin #	Type	Description
UART5_TXD	41	O	UART transmit
UART5_RXD	39	I	UART receive
UART5_RTS	80	I	UART HW flow control RTS
UART5_CTS	82	O	UART HW flow control CTS

4.11. Flexible Controller Area Network (FLEXCAN)

The CAN protocol was primarily, but not exclusively, designed to be used as a vehicle serial data bus, meeting the specific requirements of this field: Real-time processing, reliable operation in the Electromagnetic Interference (EMI) environment of a vehicle, cost-effectiveness and required bandwidth. The FlexCAN module is a full implementation of the CAN protocol specification, version 2.0 B, which supports both standard and extended message frames.

CAN1 Signals:

Signal	Pin #	Type	Description
CAN1_RX	46	I	CAN BUS receive
CAN1_TX	44	O	CAN BUS transmit

CAN2 Signals:

Signal	Pin #	Type	Description
CAN2_TX	80	O	CAN BUS receive
CAN2_RX	82	I	CAN BUS transmit

Signal Descriptions

CAN Rx: The receive pin from the CAN bus transceiver. Dominant state is represented by logic level '0'. Recessive state is represented by logic level '1'.

CAN Tx: The transmit pin to the CAN bus transceiver. Dominant state is represented by logic level '0'. Recessive state is represented by logic level '1'.

4.12. SPI

The Enhanced Configurable Serial Peripheral Interface (ECSPI) is a full-duplex, synchronous 4-wire serial communication block. The ECSPI contains a 64 x 32 receive buffer (RXFIFO) and a 64 x 32 transmit buffer (TXFIFO). With data FIFOs, the ECSPI allows rapid data communication with fewer software interruptions.

4.12.1. eCSPI Key Features:

- Full-duplex synchronous serial interface
- Master/slave configurable
- Four chip select (SS) signals to support multiple peripherals
- Transfer continuation function allows unlimited length data transfers
- 32-bit wide by 64-entry FIFO for both transmitting and receiving data
- 32-bit wide by 16-entry FIFO for HT message data
- Polarity and phase of the chip select (SS) and SPI clock (SCLK) are configurable
- Direct Memory Access (DMA) support
- Max operation frequency up to the reference clock frequency

ECSPI1 Signals:

Signal	Pin #	Type	Description
cSPI1_CLK	25, 43	IO	SPI1 clock
cSPI1_MOSI	26, 45	IO	SPI1 MOSI signal
cSPI1_MISO	24, 41	IO	SPI1 SOMI signal
cSPI1_CS0	39, 56	IO	SPI1 chip select 0 signal
cSPI1_CS1	48, 86	IO	SPI1 chip select 1 signal
cSPI1_CS2	52	IO	SPI1 chip select 2 signal
cSPI1_CS3	54, 174	IO	SPI1 chip select 3 signal

ECSPI2 Signals:

Signal	Pin #	Type	Description
cSPI2_CLK	22, 87	IO	SPI2 clock
cSPI2_MOSI	88	IO	SPI2 MOSI signal
cSPI2_MISO	85	IO	SPI2 SOMI signal
cSPI2_CS0	23, 83	IO	SPI2 Chip select 0 signal
cSPI2_CS2	52	IO	SPI2 Chip select 2 signal
cSPI2_CS3	54	IO	SPI2 Chip select 3 signal

ECSPI4 Signals:

Signal	Pin #	Type	Description
cSPI4_CLK	75	IO	SPI4 clock
cSPI4_MOSI	50	IO	SPI4 MOSI signal
cSPI4_MISO	77	IO	SPI4 SOMI signal
cSPI4_CS0	51, 84	IO	SPI4 Chip select 0 signal
cSPI4_CS2	52	IO	SPI4 Chip select 2 signal
cSPI4_CS3	54	IO	SPI4 Chip select 3 signal
cSPI4_RDY	57	IO	SPI4 ready signal

4.13. PCIe

VAR-SOM-SOLO PCI Express functionality has the following parts:

PCI Express includes the following cores:

- PCI Express Dual Mode (DM) core
- PCI Express Root Complex (RC) core
- PCI Express Endpoint (EP) core

PCI Express 2.0 PHY:

- PCIe 2.0 PHY is a complete mixed-signal semiconductor intellectual property (IP) solution, designed for single-chip integration into computer applications
- The PCIe 2.0 PHY supports both the 5 Gbps data rate of the PCI Express Gen 2.0 specifications as well as being backwards compatible to the 2.5Gb/s Gen 1.1 specification

PCIE Signals:

Signal	Pin #	Type	Description
PCIE_TXP	130	DS	Positive PCI TX differential
PCIE_TXM	128	DS	Negative PCI TX differential
PCIE_RXP	134	DS	Positive PCI RX differential
PCIE_RXM	136	DS	Negative PCI RX differential
CLK1_P	102	DS	Positive PCI clock differential
CLK1_N	100	DS	Negative PCI clock differential

4.14. I²C

I2C-1, 2, 3 Interface connectivity peripherals provide serial interface for external devices. Data rates of up to 400 kbps are supported.

I2C1 Signals:

Signal	Pin #	Type	Description
I2C1_SCL	88,75	IO	I2C1 I ² C clock, open drain
I2C1_SDA	87,50	IO	I2C1 I ² C data, open drain

I2C2 Signals:

Signal	Pin #	Type	Description
I2C2_SCL	174	IO	I ² C clock, open drain, internally PU
I2C2_SDA	176	IO	I ² C data, open drain, internally PU

Note: I2C2 interface is used by PMIC & CODEC on-som devices (I2C ADDR =0x1B,0x8). Pin configuration for I2C2 signal can't be changed.

I2C3 Signals:

Signal	Pin #	Type	Description
I2C3_SCL	92	IO	I2C3 I ² C clock, open drain
I2C3_SDA	90	IO	I2C3 I ² C data, open drain

4.15. General Purpose IOs

Most of the SoM's IO pins can be used as GPIOs.

See Chapter 3, Table 3.1 and 3.2 for a complete SoM connectors signal list and GPIO multiplexing.

4.16. General System Control

4.16.1. Boot Options

Below you can find the MX6 boot options

8	7	6	5	4	3	2	1
BT_CFG1_7	BT_CFG1_6	BT_CFG1_5	BT_CFG1_4	BT_CFG2_6	BT_CFG2_5	BT_CFG2_4	BT_CFG2_3
1XXX = NANDF Boot							
011X = MMC/eMMC Boot				X0 = 1-bit X1 = 4-bit 10 = 8-bit		01 = SD2 Boot 10 = SD3 Boot 11 = SD4 Boot	
010X = SD/eSD Boot				X0 = 1-bit X1 = 4-bit		01 = SD2 Boot 10 = SD3 Boot 11 = SD4 Boot	
0011 = Serial ROM (SPINOR) Boot							
0010 = SATA Boot							

The boot-select pin configures the boot sequence of the VAR-SOM-SOLO:

BOOT_CFG = X1X00101

Pin Name	Pin Number	MX6 BOOT_CFG	Internally pulled
BOOT_SELO	42	BT_CFG1_7	Pulled-up 10K
BOOT_SEL1	40	BT_CFG1_5	Pulled-down 10K

Use cases:

BOOT_SEL [1:0] = [0:1] => BOOT_CFG = 11000101 => NAND Boot

BOOT_SEL [1:0] = [0:0] => BOOT_CFG = 01000101 => SD2 boot, SD-Card, 4 bit bus

BOOT_SEL [1:0] = [1:0] => BOOT_CFG = 01100101 => SD2 boot, eMMC (external, on carrier board), 4 bit bus

Note: boot from on-SOM eMMC is not possible

4.16.2. Reset

'0' logic will reset VAR-SOM-SOLO

4.16.3. Reference Clock Out

VAR-SOM-SOLO output clock (CLKO2) is controlled by the i.MX6 CCM module. Please refer to the i.MX6 user manual regarding the configuration option for this clock.

4.16.4. General System Control Signals

Signal	Pin #	Type	Description
CLKO	29	O	Clock out
BOOT_SELO	42	I	Refer to section 4.19.1
BOOT_SEL1	40	I	Refer to section 4.19.1
POR_B	98	I	Hardware reset

4.17. Power

4.17.1. Power Supply

Signal	Pin #	Type	Description
VIN_3V3	32, 34, 36, 38,	Power In	VAR-SOM-OMX6 Single DC-IN Supply voltage.

VAR-SOM-SOLO SYSTEM ON MODULE

	103, 105, 107, 109, 111		Voltage range: 3.3 +/- 5%
3V3_PER	49	Power Out	3.3 V output, up to 200 mA

4.17.2. Ground

Signal	Pin #	Type	Description
GND	13, 14, 19, 27, 28, 31, 33, 35, 37, 47, 58, 59, 66, 67, 76, 78, 89, 95, 101, 112, 118, 126, 132, 138, 139, 144, 149, 158, 159, 169, 172, 178, 179, 185	Power	Digital ground
AGND	195,196	Power	Audio analog GND

5. Absolute Maximum Characteristics

Power Supply	Min	Max	Unit
Main Power Supply, DC-IN	-0.3	3.5	V

6. Operational Characteristics

6.1. Power supplies

	Min	Typical	Max	Unit
Main Power Supply, DC-IN	-5%	3.3	+5%	V

6.2. Power Consumption

CPU usage:

Task	SOM VBAT current draw in ma @3.3v
Idle (~10% CPU) @ 400mhz	330mA
FHD Video playback	530ma

Additional peripherals:

Task	SOM VBAT current draw in ma @3.3v
WLAN transmission	~300mA
Gbit Ethernet	~250ma

7. DC Electrical Characteristics

Parameter	Min	Typical	Max	Unit
Digital 3.3V				
V_{IH}	$0.7 \times VIN_3V3$		VIN_3V3	V
V_{IL}	0		$0.3 \times VIN_3V3$	V
V_{OH}	$VIN_3V3 - 0.15$			V
V_{OL}			0.15	V

Table 7-1 DC Electrical Characteristics

8. Environmental Specifications

	Min	Max
Commercial Operating Temperature Range	0 °C	+70 °C
Extended Operating Temperature Range	-25 °C	+70 °C
Industrial Operating Temperature Range	-40 °C	+85 °C
Referring MIL-HDBK-217F-2 Parts Count Reliability Prediction Method Model: 50Deg Celsius, Class B-1, GM 50Deg Celsius, Class B-1, GB	121 Khrs > 1400 Khrs >	
Shock Resistance	50G/20 ms	
Vibration	20G/0 - 600 Hz	

9. Mechanical Drawings

Top View [mm]

CAD files are available for download at <http://www.variscite.com/>

10. Legal Notice

Variscite Ltd. ("Variscite") products and services are sold subject to Variscite terms and conditions of sale, delivery and payment supplied at the time of order acknowledgement.

Variscite warrants performance of its products to the specifications in effect at the date of shipment. Variscite reserves the right to make changes to its products and specifications or to discontinue any product or service without notice. Customers should therefore obtain the latest version of relevant product information from Variscite to verify that their reference is current.

Testing and other quality control techniques are utilized to the extent that Variscite deems necessary to support its warranty.

Specific testing of all parameters of each device is not necessarily performed unless required by law or regulation.

In order to minimize risks associated with customer applications, the customer must use adequate design and operating safeguards to minimize inherent or procedural hazards. Variscite is not liable for applications assistance or customer product design. The customer is solely responsible for its selection and use of Variscite products. Variscite is not liable for such selection or use or for use of any circuitry other than circuitry entirely embodied in a Variscite product.

Variscite products are not intended for use in life support systems, appliances, nuclear systems or systems where malfunction can reasonably be expected to result in personal injury, death or severe property or environmental damage. Any use of products by the customer for such purposes is at the customer's own risk.

Variscite does not grant any license (express or implied) under any patent right, copyright, mask work right or other intellectual property right of Variscite covering or relating to any combination, machine, or process in which its products or services might be or are used. Any provision or publication of any third party's products or services does not constitute Variscite's approval, license, warranty or endorsement thereof. Any third party trademarks contained in this document belong to the respective third party owner.

Reproduction of information from Variscite datasheets is permissible only if reproduction is without alteration and is accompanied by all associated copyright, proprietary and other notices (including this notice) and conditions. Variscite is not liable for any un-authorized alteration of such information or for any reliance placed thereon.

Any representations made, warranties given, and/or liabilities accepted by any person which differ from those contained in this datasheet or in Variscite's standard terms and conditions of sale, delivery and payment are made, given and/or accepted at that person's own risk. Variscite is not liable for any such representations, warranties or liabilities or for any reliance placed thereon by any person.

11. Warranty Terms

Variscite guarantees hardware products against defects in workmanship and material for a period of one (1) year from the date of shipment. Your sole remedy and Variscite's sole liability shall be for Variscite, at its sole discretion, to either repair or replace the defective hardware product at no charge or to refund the purchase price. Shipment costs in both directions are the responsibility of the customer. This warranty is void if the hardware product has been altered or damaged by accident, misuse or abuse.

Disclaimer of Warranty

THIS WARRANTY IS MADE IN LIEU OF ANY OTHER WARRANTY, WHETHER EXPRESSED, OR IMPLIED, OF MERCHANTABILITY, FITNESS FOR A SPECIFIC PURPOSE, NON-INFRINGEMENT OR THEIR EQUIVALENTS UNDER THE LAWS OF ANY JURISDICTION, EXCEPT THE WARRANTY EXPRESSLY STATED HEREIN. THE REMEDIES SET FORTH HEREIN SHALL BE THE SOLE AND EXCLUSIVE REMEDIES OF ANY PURCHASER WITH RESPECT TO ANY DEFECTIVE PRODUCT.

Limitation on Liability

UNDER NO CIRCUMSTANCES SHALL VARISCITE BE LIABLE FOR ANY LOSS, DAMAGE OR EXPENSE SUFFERED OR INCURRED WITH RESPECT TO ANY DEFECTIVE PRODUCT. IN NO EVENT SHALL VARISCITE BE LIABLE FOR ANY INCIDENTAL OR CONSEQUENTIAL DAMAGES THAT YOU MAY SUFFER DIRECTLY OR INDIRECTLY FROM USE OF ANY PRODUCT. BY ORDERING THE SOM, THE CUSTOMER APPROVES THAT THE VARISCITE SOM, HARDWARE AND SOFTWARE, WAS THOROUGHLY TESTED AND HAS MET THE CUSTOMER'S REQUIREMENTS AND SPECIFICATIONS.

12. Contact Information

Headquarters:

Variscite Ltd.

4 Hamelacha St.
Lod
P.O.B 1121
Airport City, 70100
ISRAEL

Tel: +972 (9) 9562910

Fax: +972 (9) 9589477

Sales: sales@variscite.com

Technical Support: support@variscite.com

Corporate Website: www.variscite.com

