

VAR-DT6CustomBoard



CONTENT


PAGE NO.	SCHEMATIC PAGE
1	Cover
2	Block Diagram
3	DART-MX6
4	Display ,Touch, HDMI
5	USB, Audio, Camera
6	Peripherals, Exp. Connectors
7	G. Ethernet PHY, PCIe
8	Power & Mechanics

Disclaimer:

SchematicS are for reference only.
Variscite LTD provides no warranty for the use of
these schematics.
Schematics are subject to change without notice.

Revision History

Rev 1.0	Initial
Rev 1.1	Production

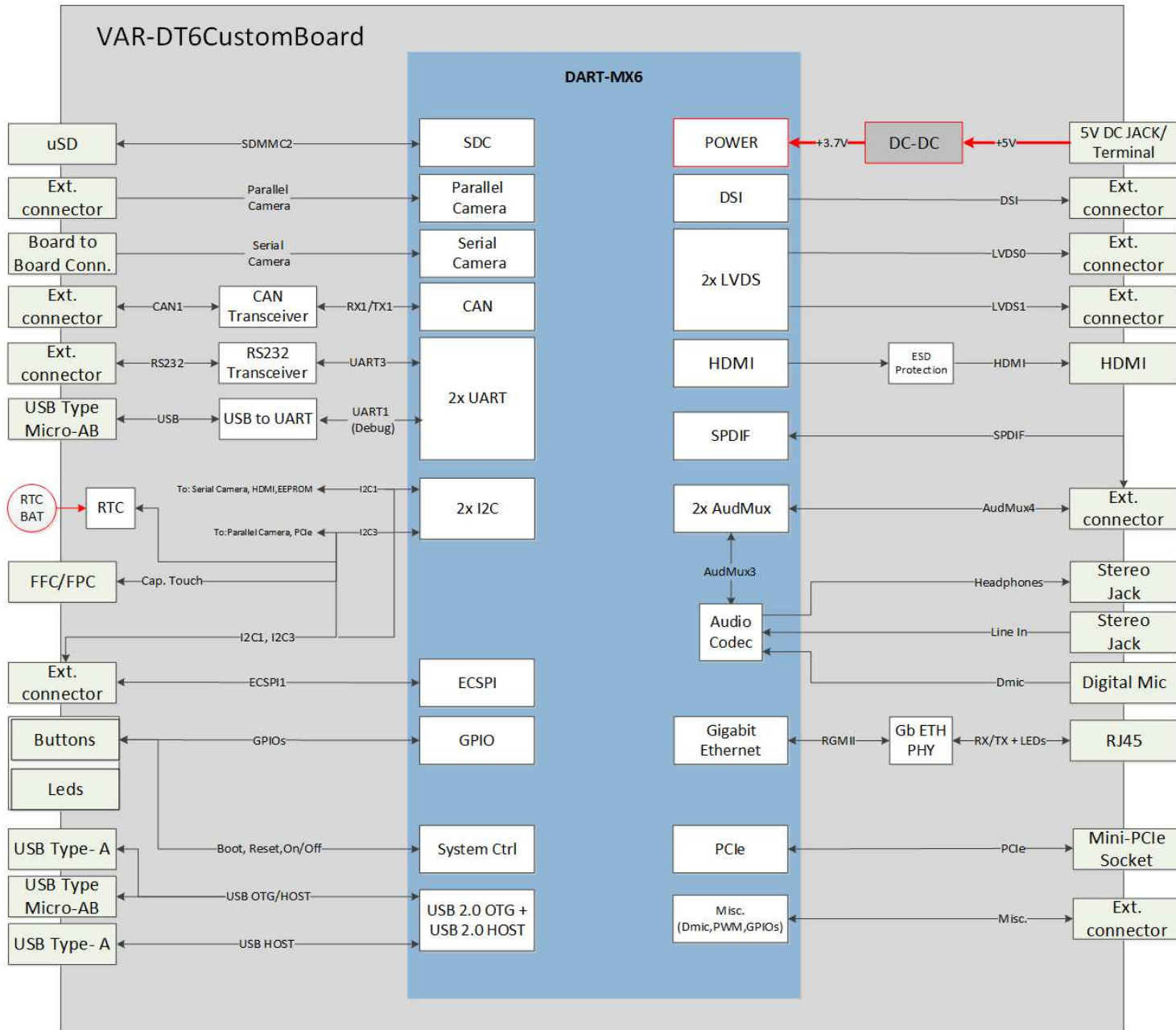


Title: 01. Cover

Size	Document Number	Project	Rev
A3	VAR-DT6CustomBoard	VAR-DT6CustomBoard	1.1

Designer: <Designer> Approved By: <Approved By>
Date: Tuesday, April 21, 2015 Sheet 1 of 8

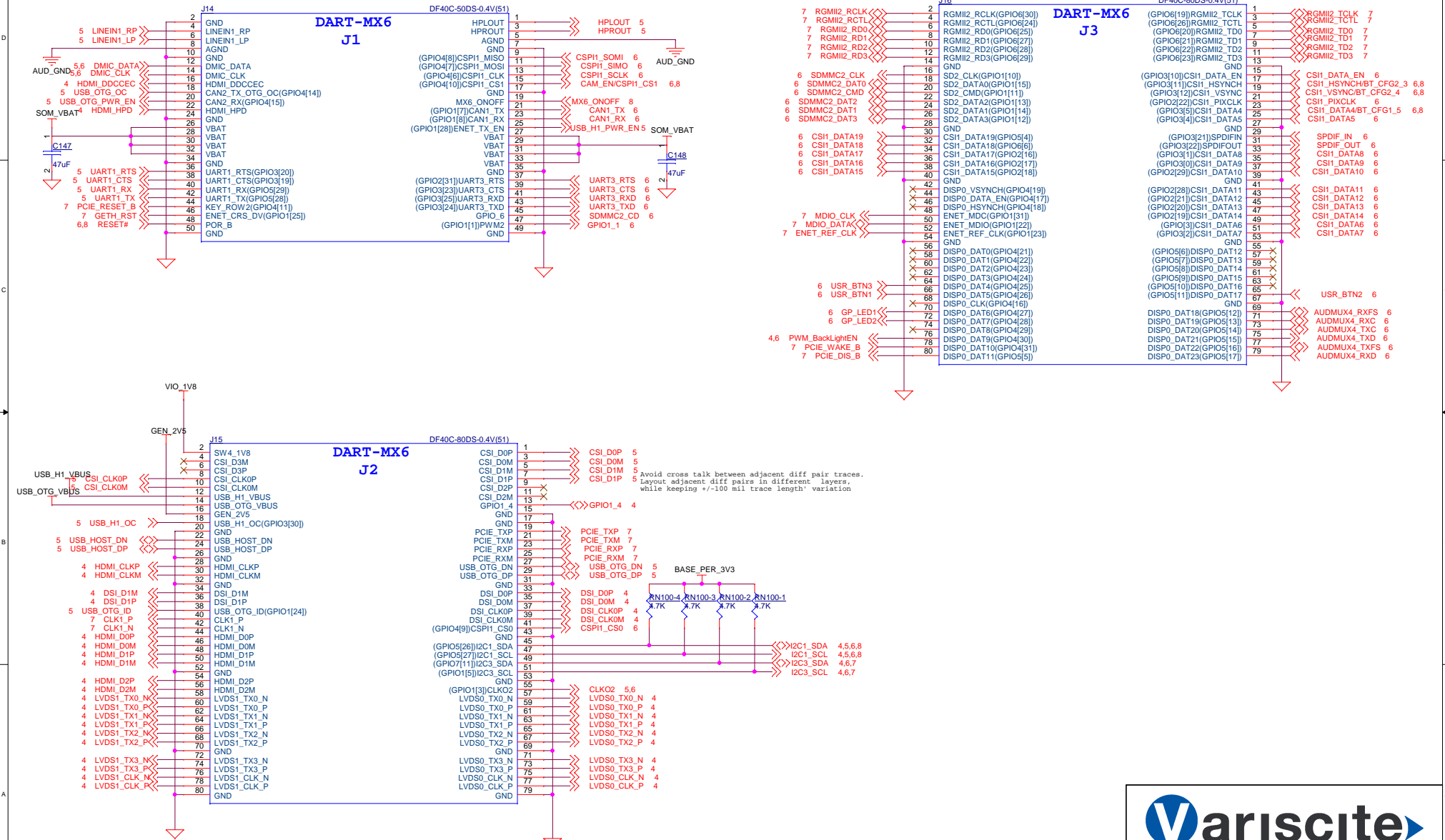
02 - Block Diagram




Variscite

Title: 02. Block Diagram			
Size: A3	Document Number: VAR-DT6CustomBoard	Project: VAR-DT6CustomBoard	Rev: 1.1
Designer: <Designers>		Approved By: <Approved By>	
Date: Tuesday, April 21, 2015		Sheet: 2 of 8	

03. DART-MX6

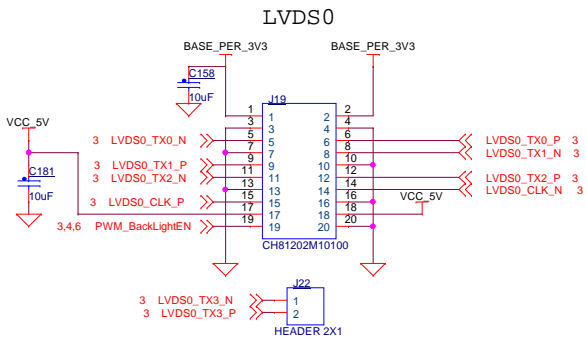
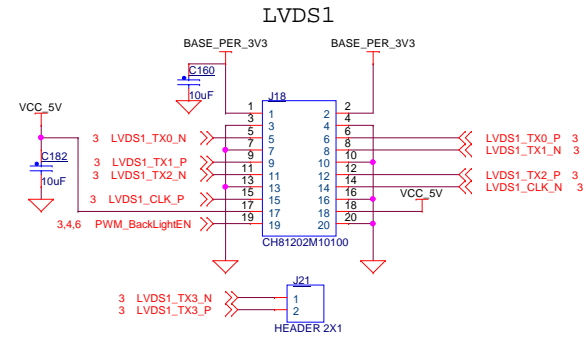




Title 03. DART-MX6			
Size A3	Document Number VAR-DT6CustomBoard	Project VAR-DT6CustomBoard	Rev 1.1
Designer: <Designers>		Approved By: <Approved By>	
Date: Tuesday, April 21, 2015		Sheet 3 of 8	

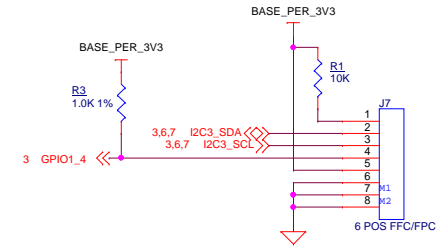
04. Display, Touch, HDMI

Display

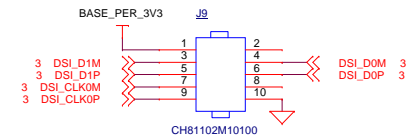


Touch

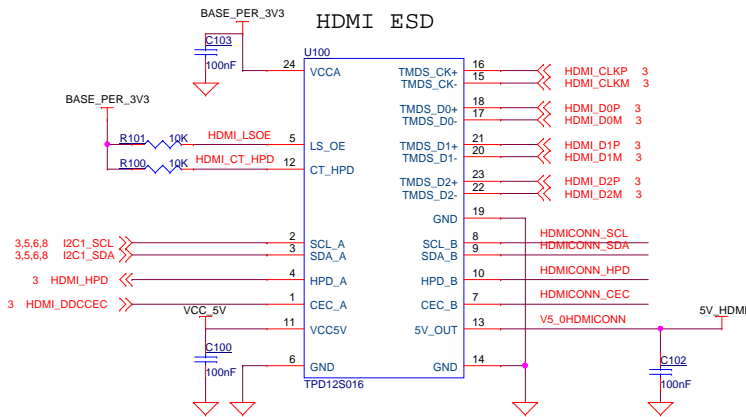
Capacitive Touch



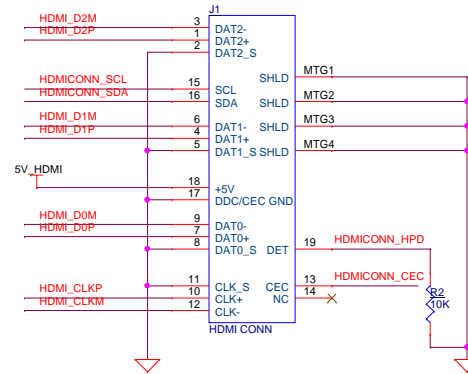
DSI



HDMI



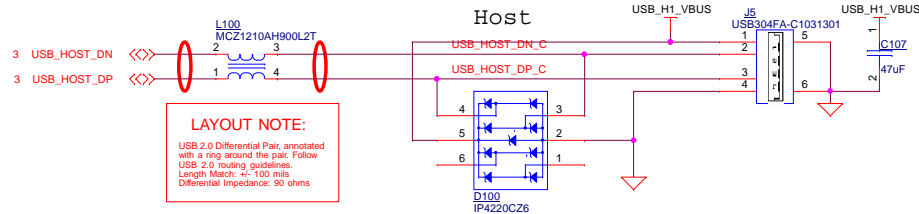
HDMI Connector



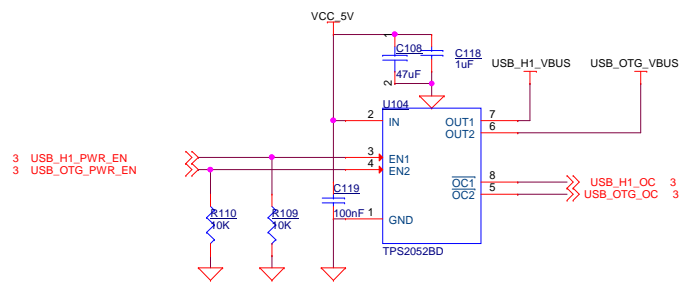
Variscite
 Title: 04. Display, Touch, HDMI
 Size: A3 | Document Number: VAR-DT6CustomBoard | Project: VAR-DT6CustomBoard | Rev: 1.1
 Designer: <Designers> | Approved By: <Approved By>
 Date: Tuesday, April 21, 2015 | Sheet: 4 of 8

05. USB, Audio, Camera

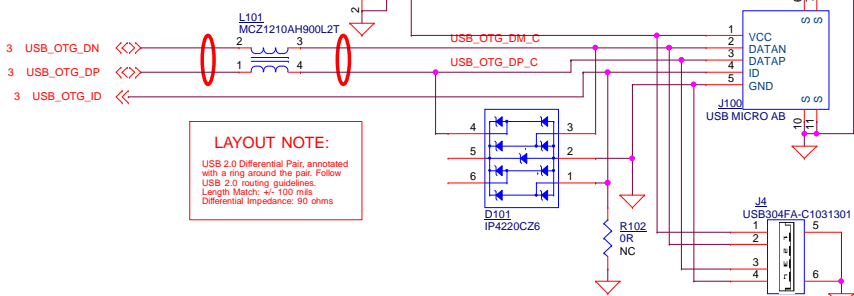
USB Host



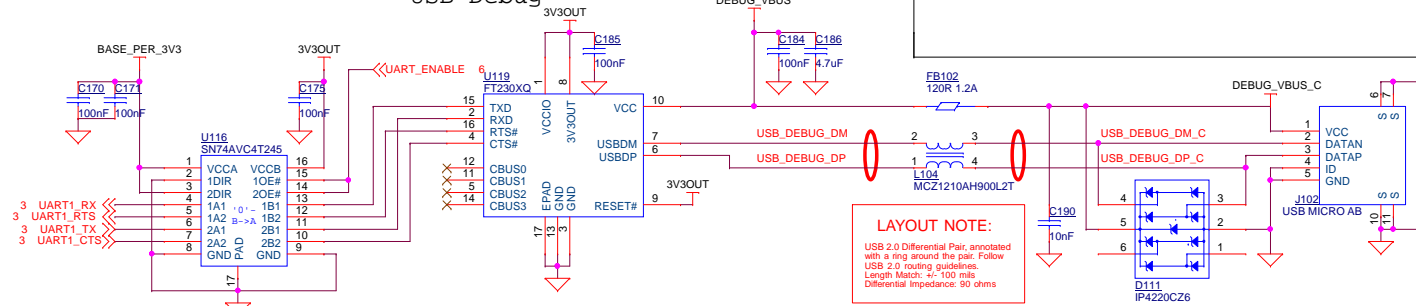
Power Distribution



OTG/HOST

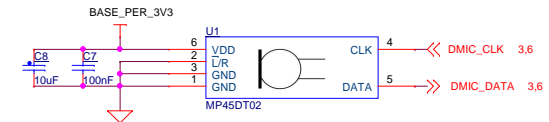


USB Debug

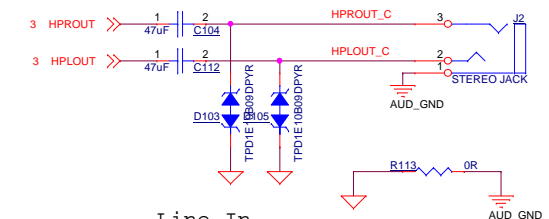


Audio

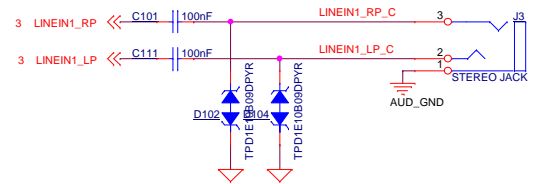
Digital Microphone



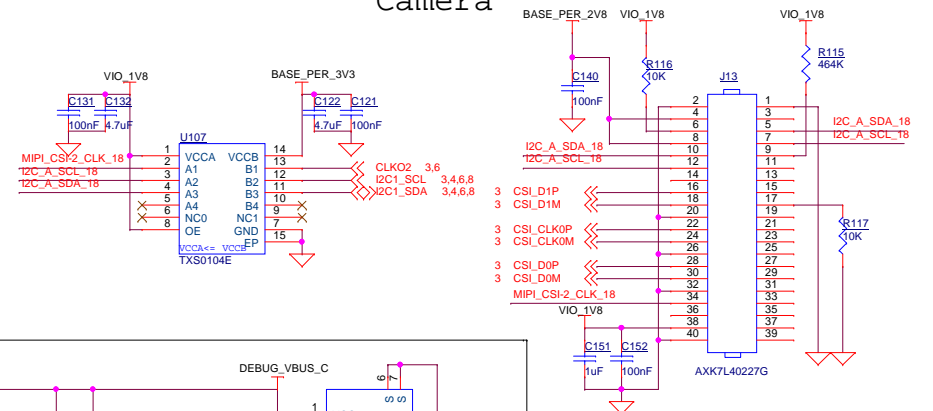
Headphones



Line In



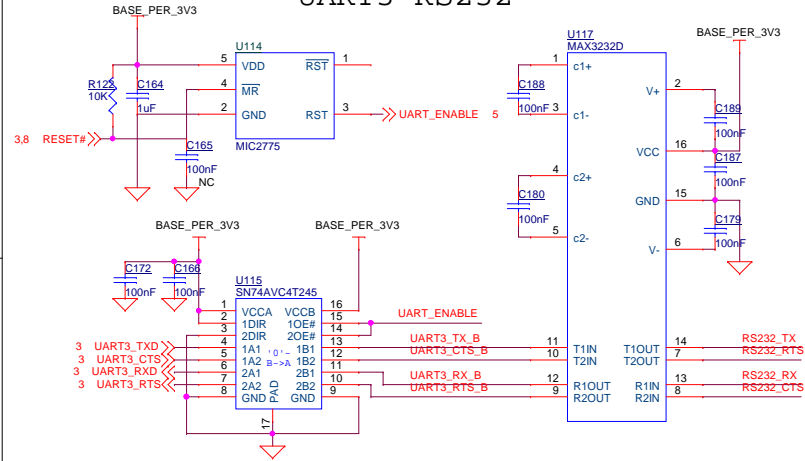
Camera



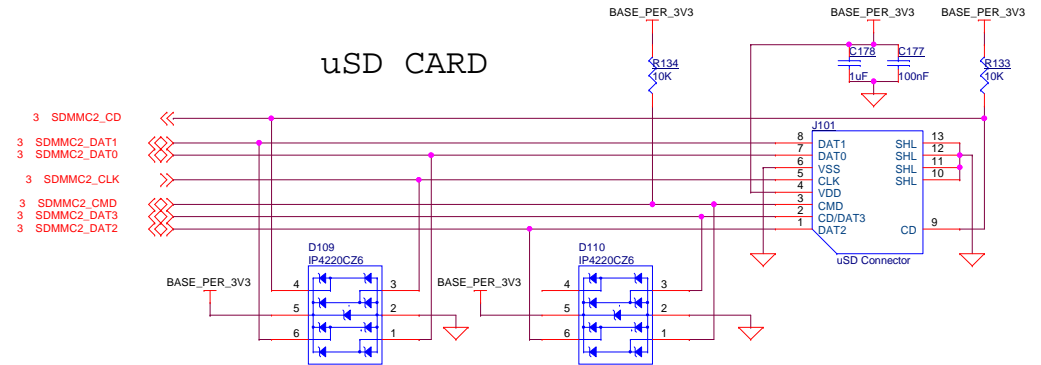
Title 05. USB, Audio, Camera			
Size A3	Document Number VAR-DT6CustomBoard	Project VAR-DT6CustomBoard	Rev 1.1
Designer: <Designers>		Approved By: <Approved By>	
Date: Tuesday, April 21, 2015		Sheet 5 of 8	

06. Peripherals, Exp. Connectors

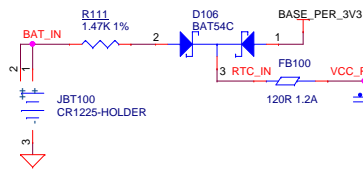
UART3-RS232



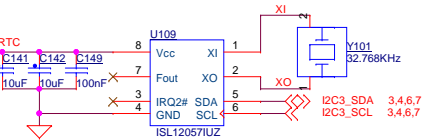
uSD CARD



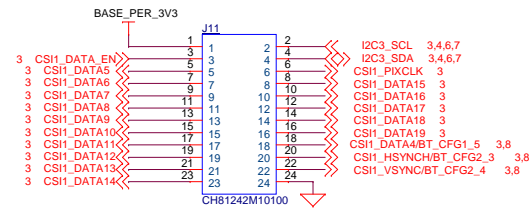
RTC Battery



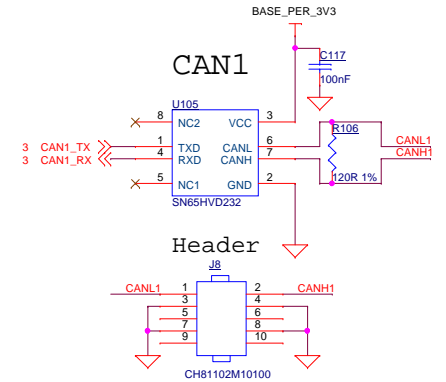
ISL12057 - RTC



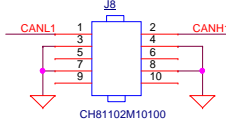
Parallel Camera



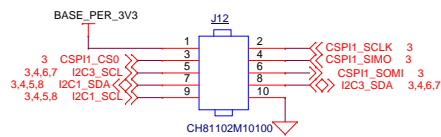
CAN1



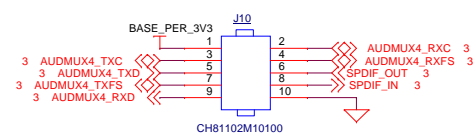
Header



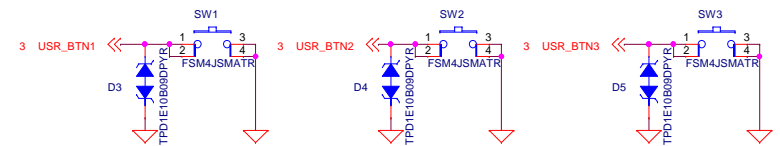
SPI/I2C



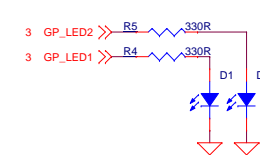
Digital Audio



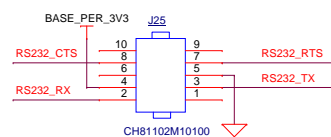
USER BUTTONS



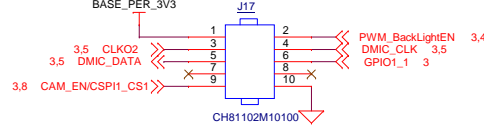
GP LED



RS232 Header

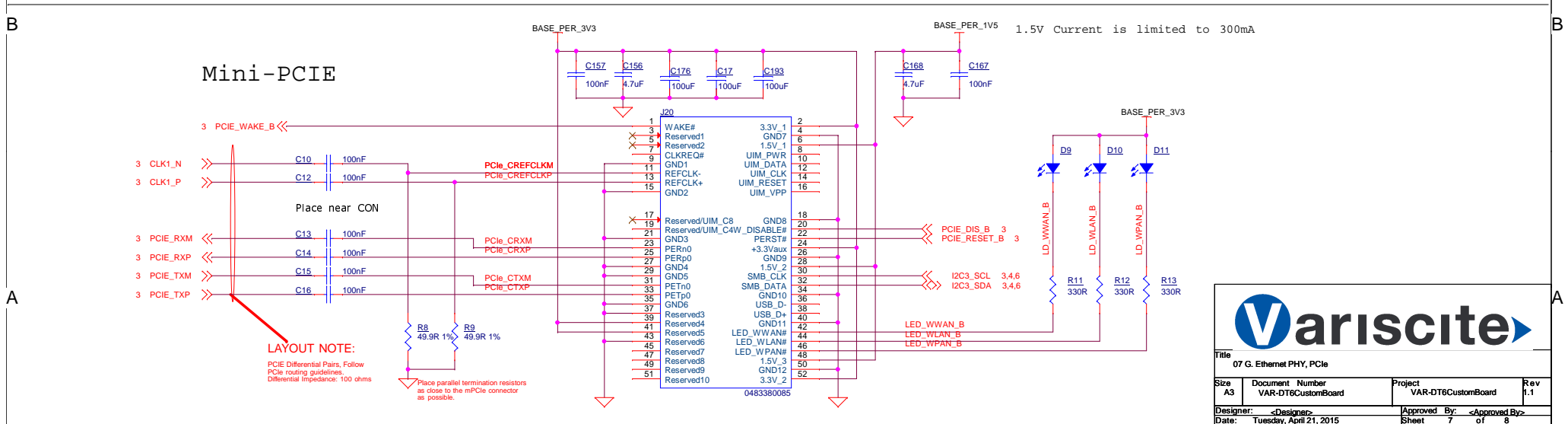
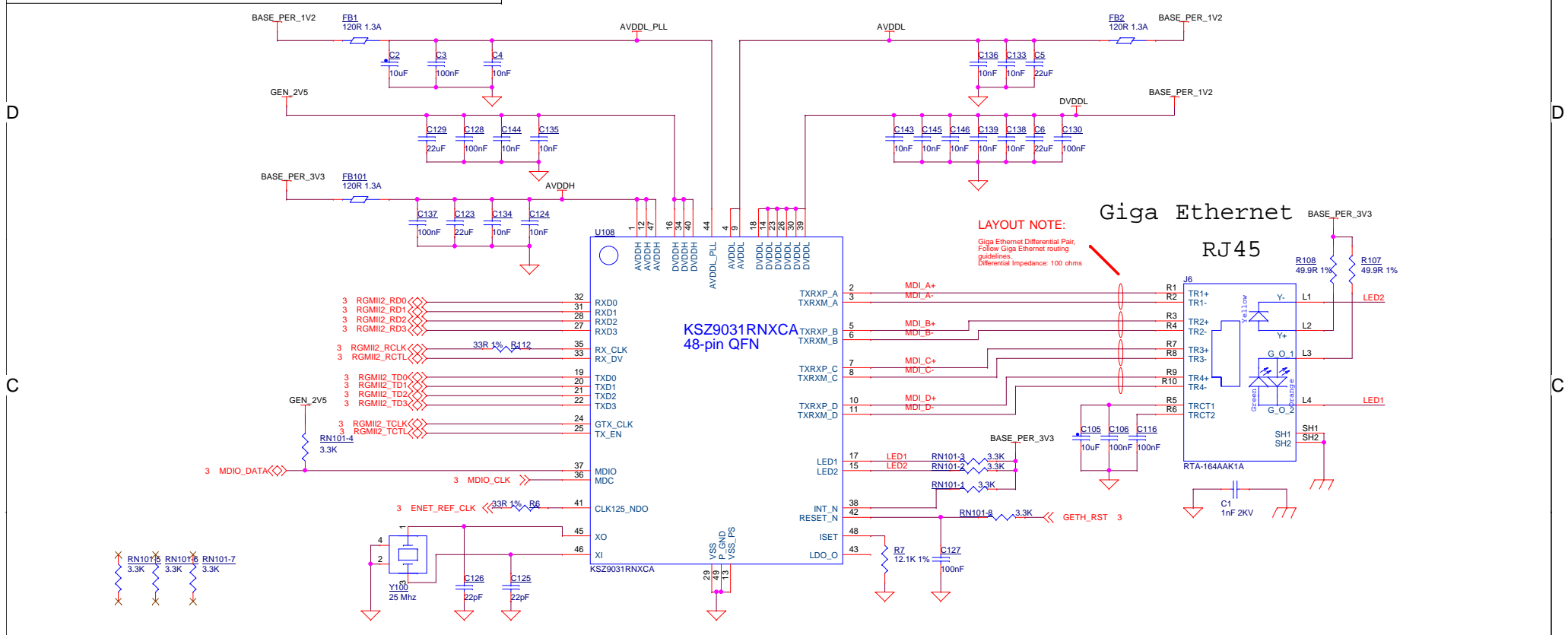


MISC



Title 06. Peripherals, Exp. Connectors			
Size A3	Document Number VAR-DT6CustomBoard	Project VAR-DT6CustomBoard	Rev 1.1
Designer: <Designer>		Approved By: <Approved By>	
Date: Tuesday, April 21, 2015		Sheet 6 of 8	

07. G. Ethernet PHY, PCIe



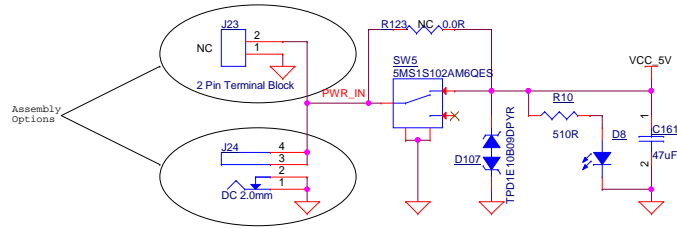
Variscite

Title: 07 G. Ethernet PHY, PCIe

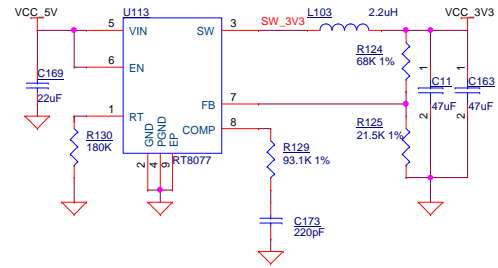
Size A3	Document Number VAR-DT6CustomBoard	Project VAR-DT6CustomBoard	Rev 1.1
Designer: <Designer>	Approved By: <Approved By>		
Date: Tuesday, April 21, 2015	Sheet 7	of 8	

08. Power & Mechanics

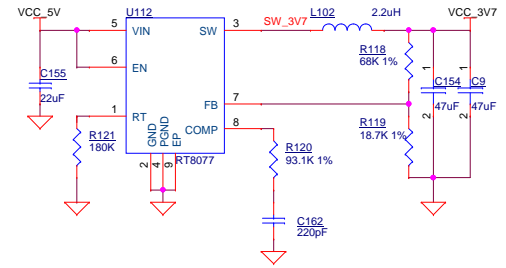
DC-IN - 5V



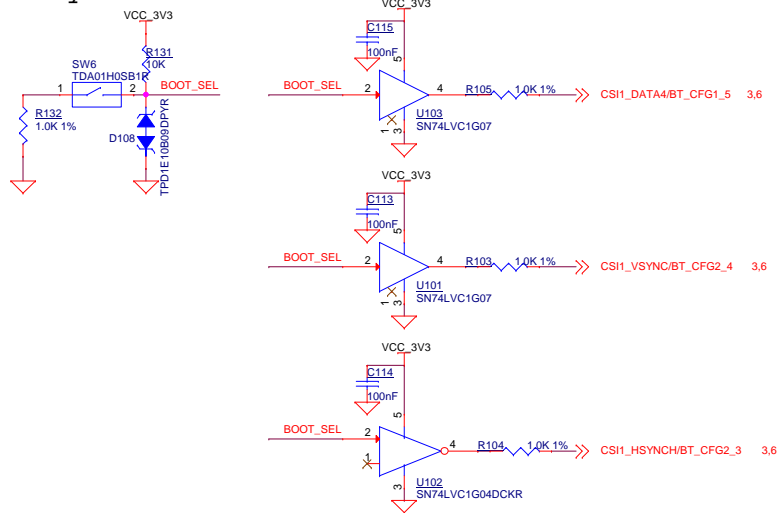
3.3V Digital 2A



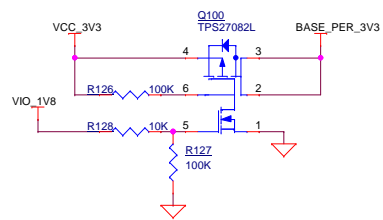
3.7V Digital 2A



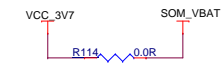
Sys-boot



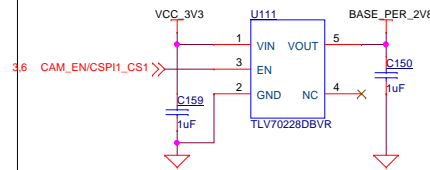
3.3V Base



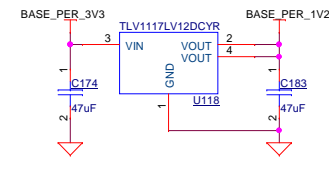
SOM Power



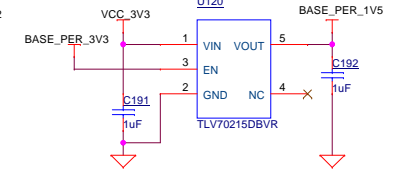
2.8V Base



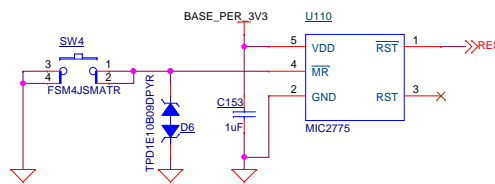
1.2V Base



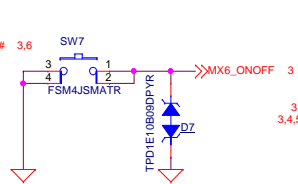
1.5V Base



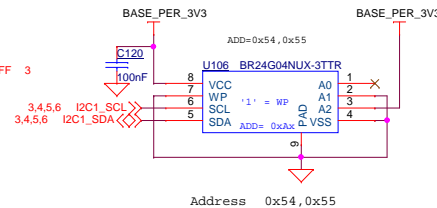
Reset



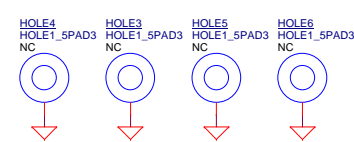
ONOFF



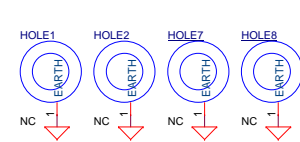
Board ID



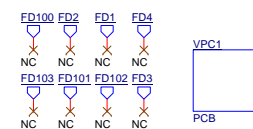
4X SOM CONN HOLES



4X Chassis Holes



Fiducial



Variscite

Title: 08. Power & Mechanics

Size: A3	Document Number: VAR-DT6CustomBoard	Project: VAR-DT6CustomBoard	Rev: 1.1
Designer: <Designers>	Approved By: <Approved By>		
Date: Tuesday, April 21, 2015	Sheet: 8	of: 8	