

DART BOARD



CONTENT

PAGE NO.	SCHEMATIC PAGE
1	Cover
2	Block Diagram
3	DART-4460
4	PERIPHERALS
5	DISPLAY, TOUCH
6	ETHERNET, USB, OTG
7	EXTERNSION HEADERS
8	DVK Exp. Connectors
9	POWER, MECHANICS

Disclaimer:

SchematicS are for reference only.
Variscite LTD provides no warranty for the use of
these schematics.
Schematics are subject to change without notice.

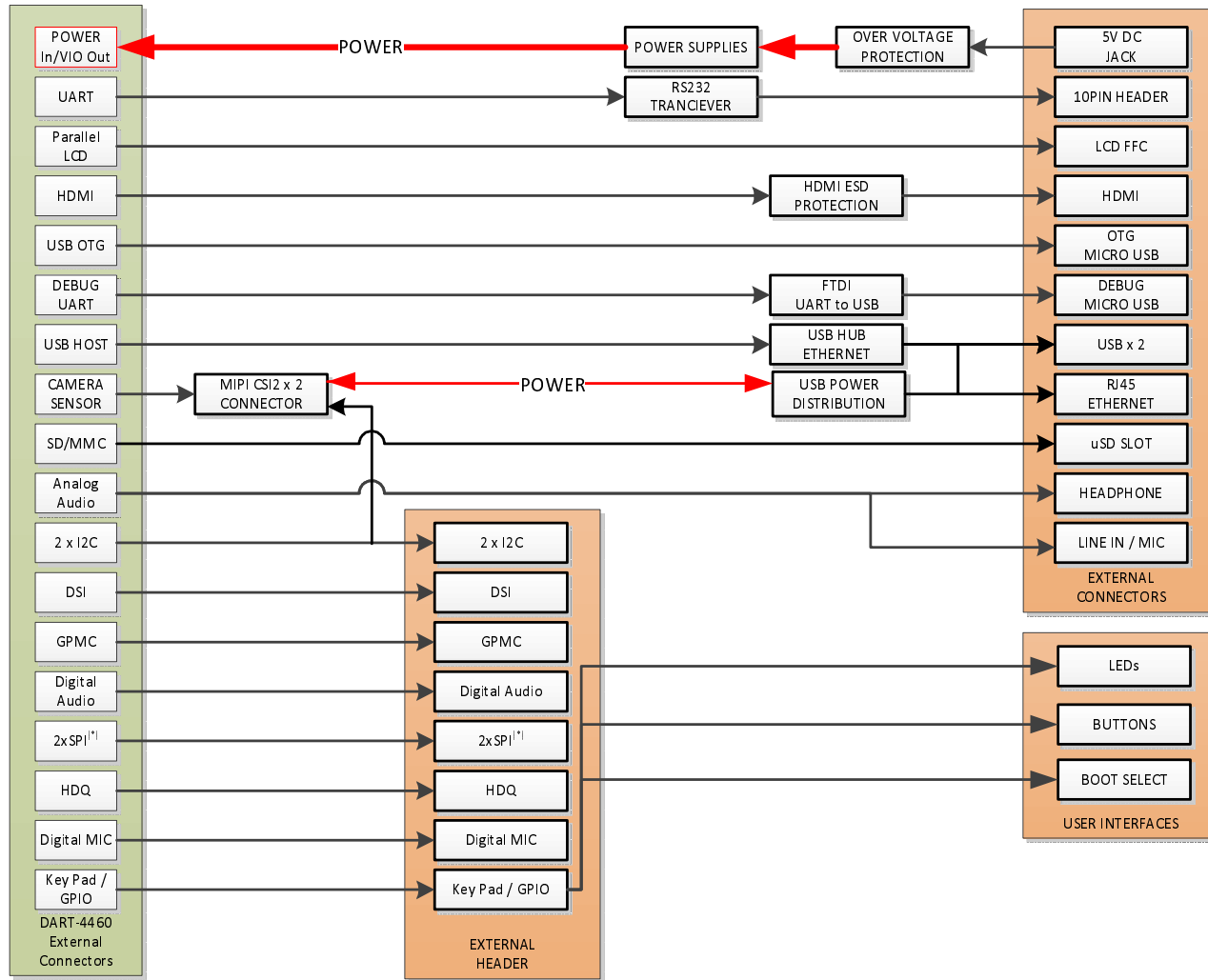
Revision History

Rev	Initial
Rev 1.0	Initial
Rev 1.0A	J6 rotated to follow DART pin-out DART connectors updated



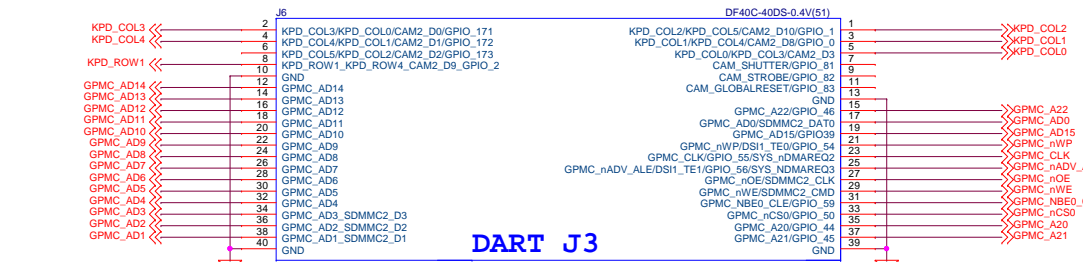
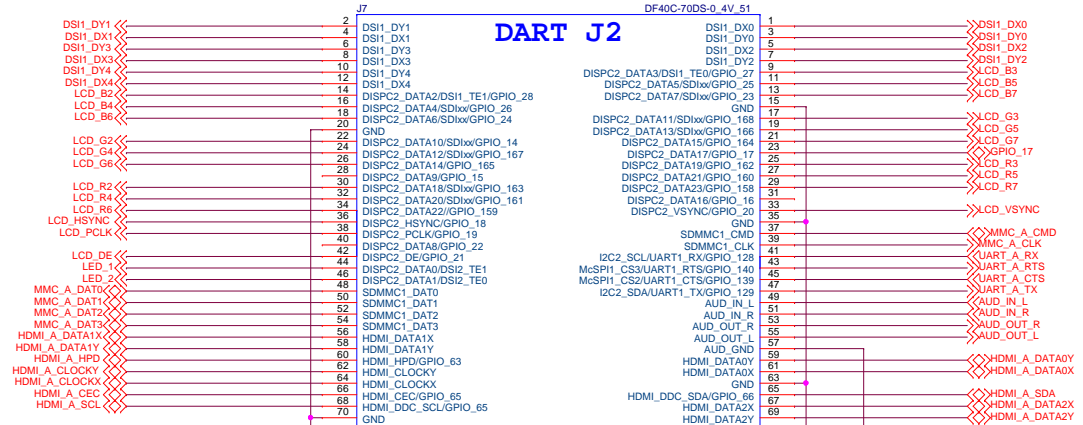
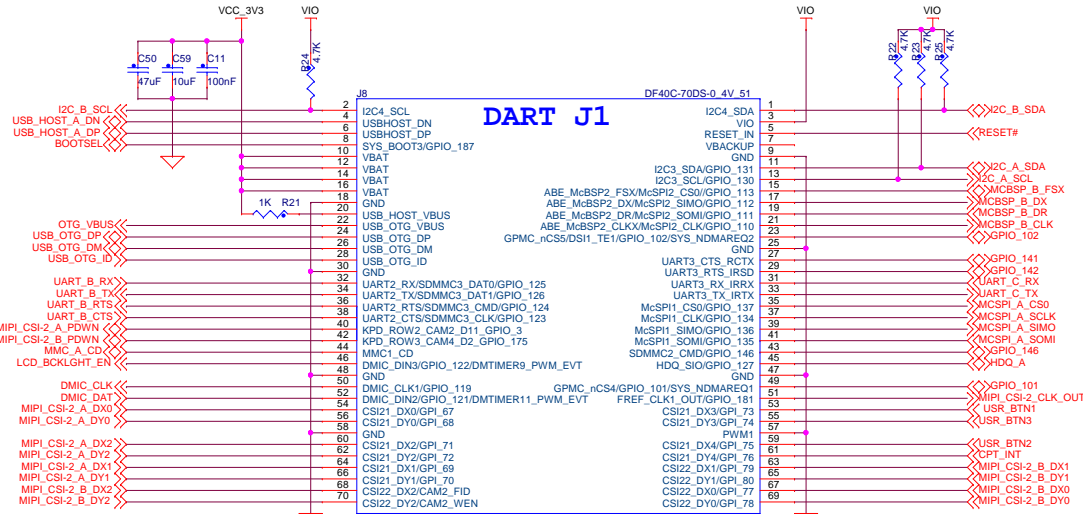
Title 01. Cover			
Size A3	Document Number DART BOARD	Project DART BOARD	Rev 1.0A
Designer: Leonid S	Approved By: Oleg R		Sheet 1 of 8
Date: Tuesday, July 16, 2013			

02 - Block Diagram



Title 02 - Block Diagram			
Size A3	Document Number DART BOARD	Project DART BOARD	Rev 1.0A
Designer Leonid S	Date Tuesday, July 16, 2013	Approved By Oran R	Sheet 2 of 8

03. DART-4460



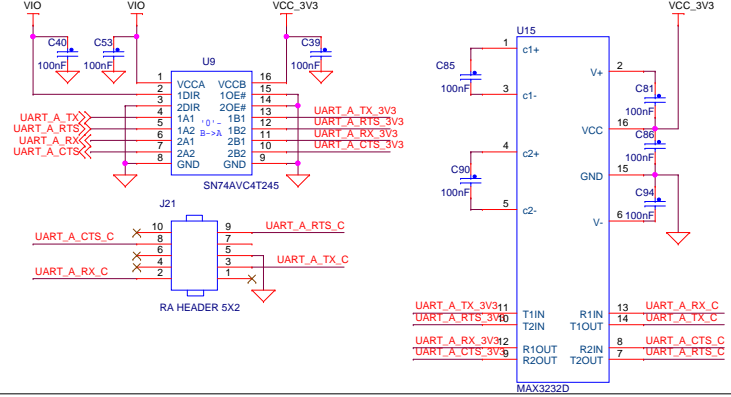
Variscite

Title: 03. DART-4460

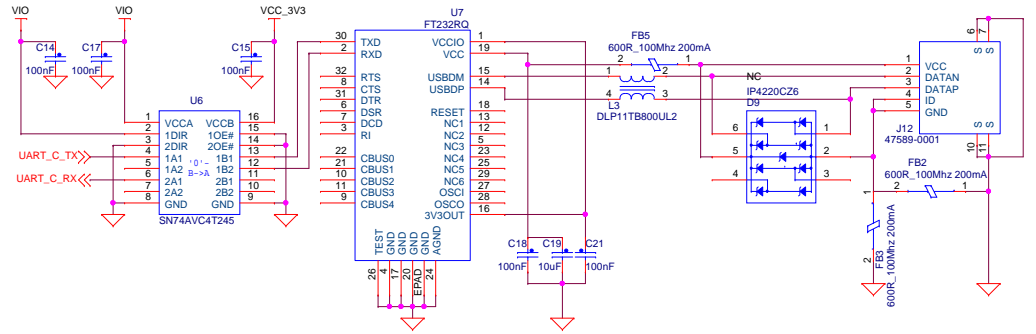
Size A3	Document Number DART BOARD	Project DART BOARD	Rev 1.0A
Designer: Leonid S	Date: Tuesday, July 16, 2013	Approved By: Sheet 3 of 8	Oran R

04. Peripherals

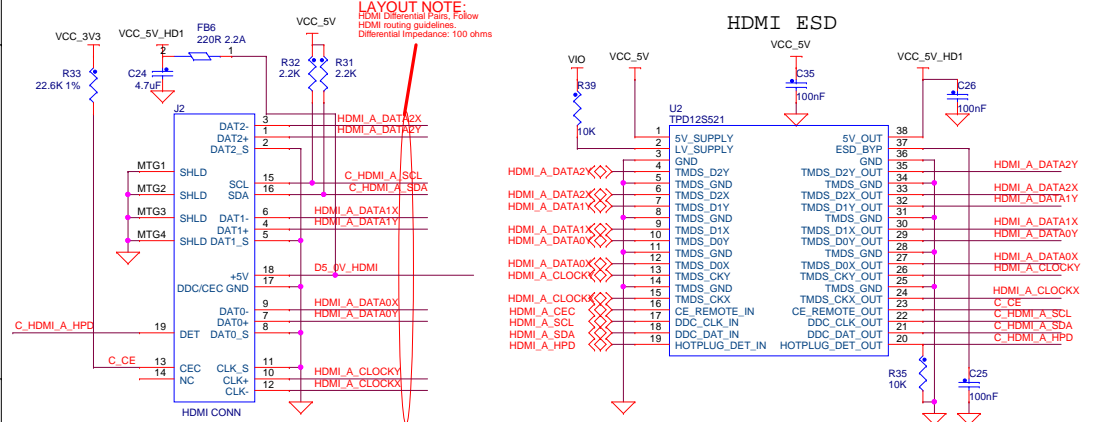
UART1 - DB9 - RS232



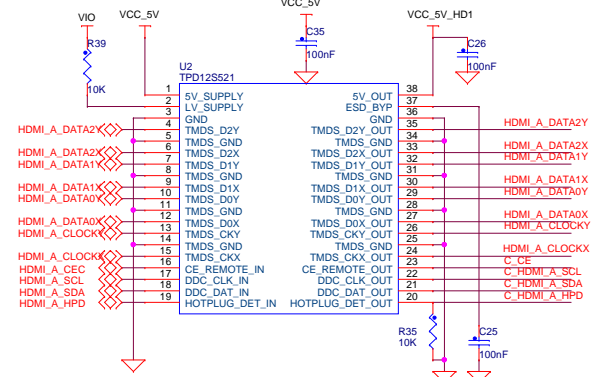
UART3 - RS232 Debug



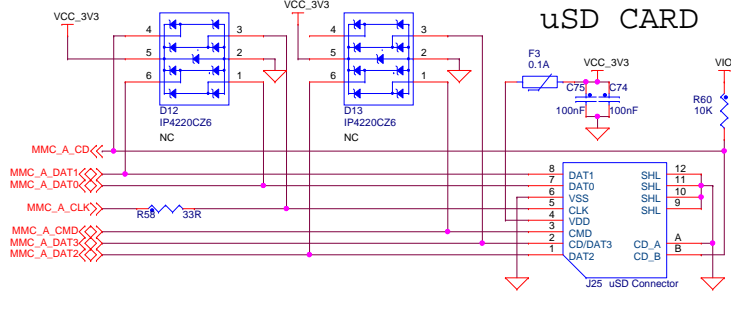
HDMI Connector



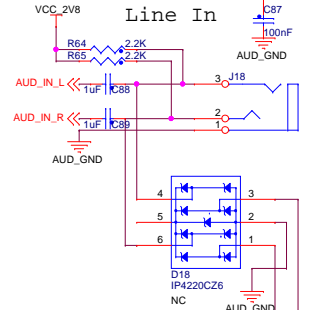
HDMI ESD



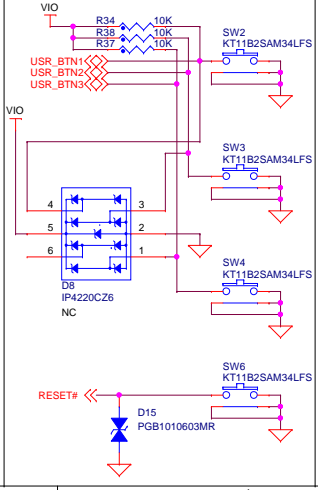
uSD CARD



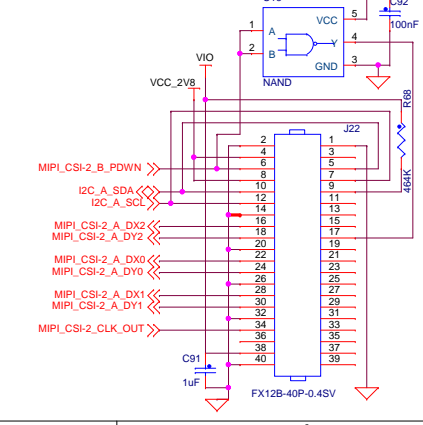
AUDIO



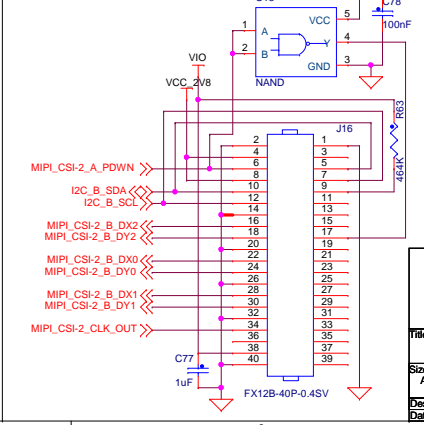
User button



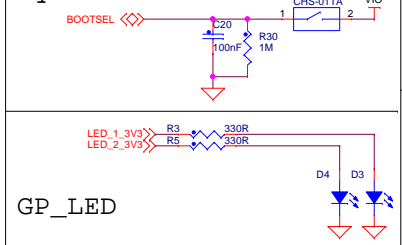
Main Camera



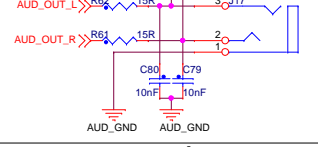
Back Camera



Sys-boot



Headphone OUT

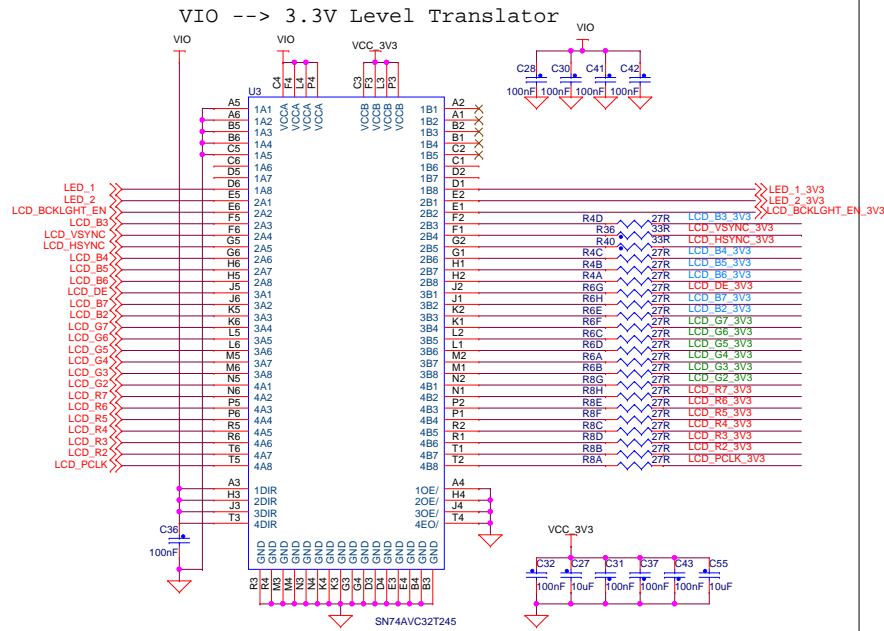


Variscite

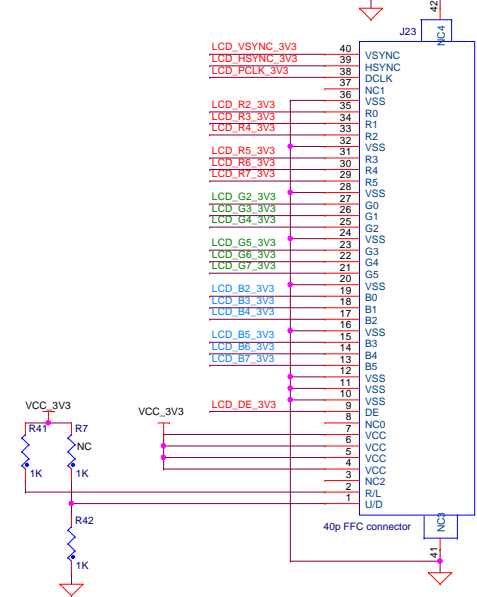
Title: 04. Peripherals
 Size: A3
 Document Number: DART BOARD
 Project: DART BOARD
 Designer: Leonid S.
 Date: Tuesday, July 16, 2013
 Approved By: Oren R.
 Sheet: 4 of 8
 Rev: 1.0A

05. Display ,Touch

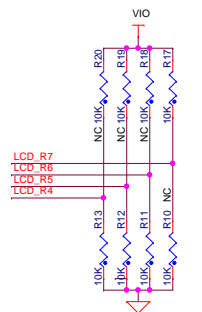
Parallel RGB



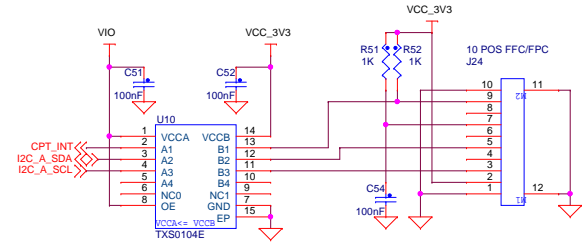
Capacitive LCD FFC Connector



Board ID



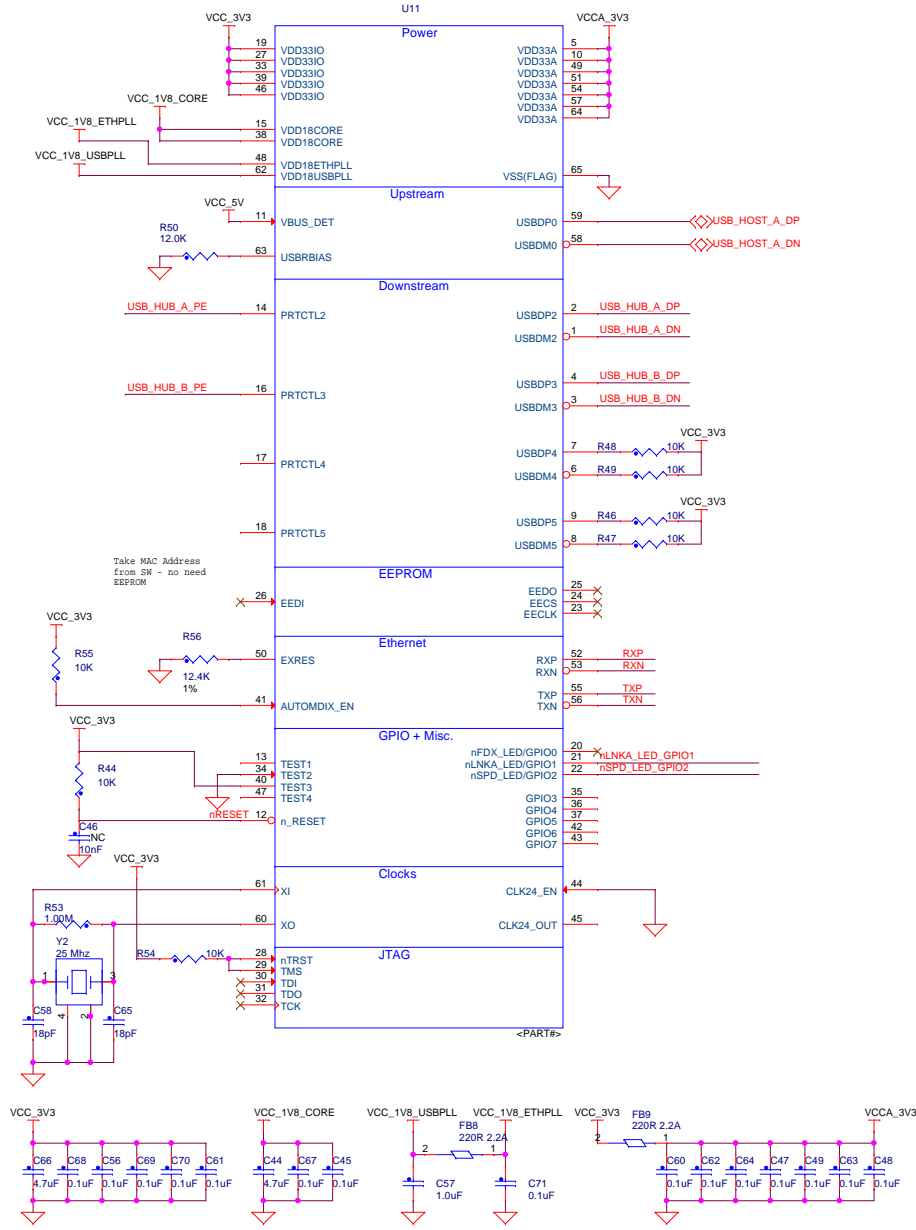
Touch Panel



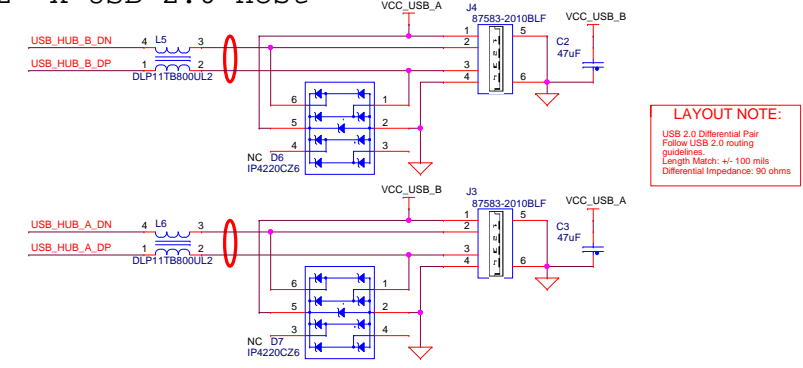
Title
 05. Display ,Touch
Size
 A3
Document Number
 DART BOARD
Project
 DART BOARD
Rev
 1.0A
Designer
 Leonid S
Approved By
 Oren R
Date
 Tuesday, July 16, 2013
Sheet
 5
of
 8

06. Ethernet, USB, OTG

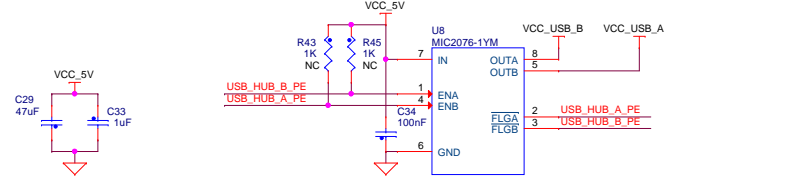
USB HUB + ETHERNET CTRL



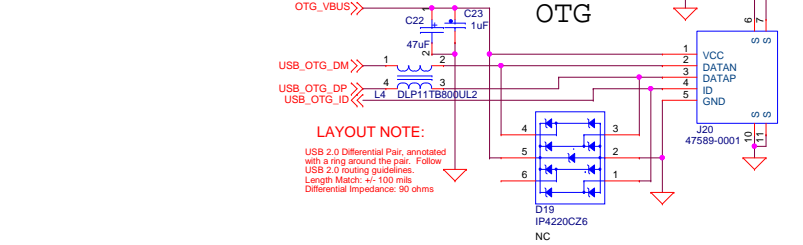
2 x USB 2.0 Host



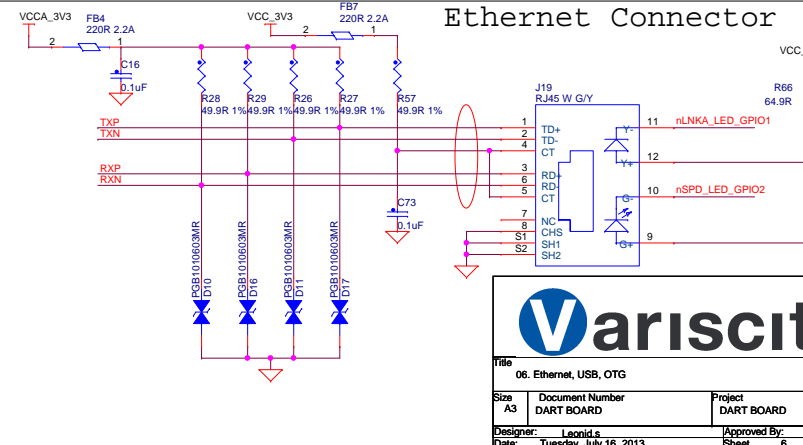
Power Distribution



OTG

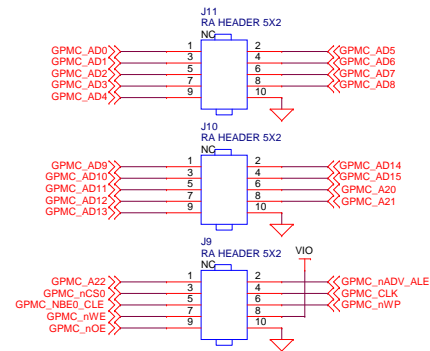
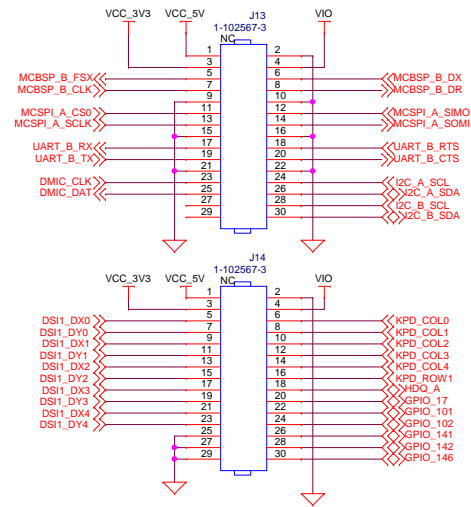


Ethernet Connector



Title: 06. Ethernet, USB, OTG			
Size: A3	Document Number: DART BOARD	Project: DART BOARD	Rev: 1.0A
Designer: Leonid	Approved By: OrenR	Sheet: 6	of 8
Date: Tuesday, July 16, 2013			

07. Extension Headers

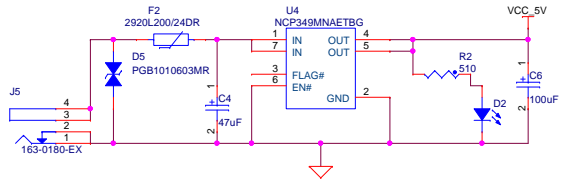


Variscite

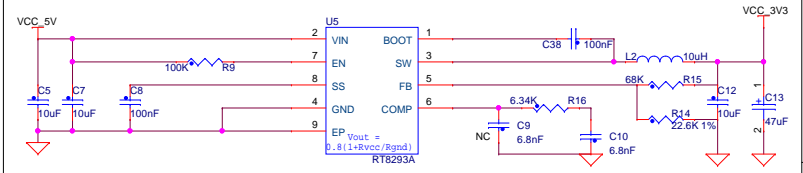
Title: 07. Extension Headers			
Size: A3	Document Number: DART BOARD	Project: DART BOARD	Rev: 1.0A
Designer: Leonid S	Approved By: Oron R		Sheet 7 of 8
Date: Tuesday, July 16, 2013			

08. Power, Mechanics

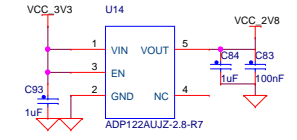
VCC-IN - 5V



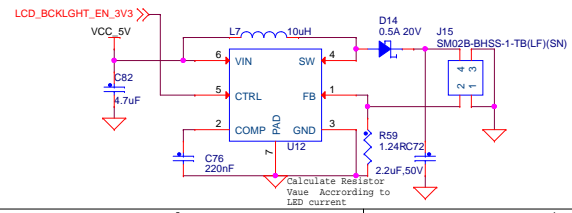
3.3V Digital 3A



2.8V - Analog

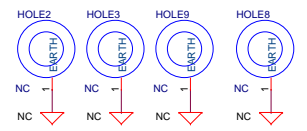


LCD Backlight

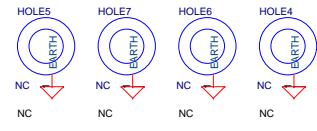


- FD9
- NC
- FD6
- NC
- FD5
- NC
- FD4
- NC
- FD2
- NC
- FD3
- NC
- FD8
- NC
- FD7
- NC

4 X Chassis Holes



4 X SOM Holes



Title: 08. Power, Mechanics			
Size: A3	Document Number: DART BOARD	Project: DART BOARD	Rev: 1.0A
Designer: Leonid S	Date: Tuesday, July 16, 2013	Approved By: Oleg R	Sheet: 8 of 8